



MRU3-1 – AC voltage relay

(September 2008)

Manual MRU3-1 (Revision New)

Woodward Governor Company reserves the right to update any portion of this publication at any time. Information provided by Woodward Governor Company is believed to be correct and reliable. However, no responsibility is assumed by Woodward Governor Company unless otherwise expressly undertaken.

© Woodward 1994-2008

Contents

1.	Introduction and application	5
2.	Features and characteristics.....	6
3.	Design	7
3.1	Connections	7
3.1.1	Analog input circuits	8
3.1.2	Blocking input.....	8
3.1.3	Reset input.....	8
3.1.4	Output relays.....	8
3.1.5	Fault recorder.....	8
3.1.6	Parameter settings.....	10
3.2	LEDs	11
3.3	Front plate.....	11
4.	Working principle	12
4.1	Analog circuits.....	12
4.2	Digital circuits.....	12
4.3	Voltage supervision.....	12
4.3.1	Selection of star or delta	13
4.4	Blocking function	14
5.	Operations and settings	15
5.1	Display	15
5.2	Setting procedure.....	17
5.3	Systemparameter.....	17
5.3.1	Display of residual voltage U_E as primary quantity (U_{prim}/U_{sec})	17
5.3.2	D/Y – Switch over.....	17
5.3.3	Setting of nominal frequency.....	18
5.3.4	Display of the activation storage	19
5.3.5	Parameter switch/external triggering for the fault recorder.....	19
5.4	Protection parameters.....	20
5.4.1	1-phase or 3-phase $U</U>$ -tripping.....	20
5.4.2	Parameter setting of over- and undervoltage supervision	20
5.4.3	Adjustment of the slave address	20
5.4.4	Setting of Baud-rate (applies for Modbus-Protocol only).....	20
5.4.5	Setting of parity (applies for Modbus-Protocol only).....	20
5.5	Parameter for the fault recorder	21
5.5.1	Adjustment of the fault recorder	21
5.5.2	Number of the fault recordings.....	21
5.5.3	Adjustment of trigger occurrences.....	21
5.5.4	Pre-trigger time (T_{pre}).....	21
5.6	Date and time.....	22
5.6.1	Adjustment of the clock	22
5.7	Indication of measuring values.....	22
5.7.1	Measuring indication	22
5.7.2	Unit of the measuring values displayed.....	22
5.7.3	Indication of fault memory data	22
5.8	Fault memory	23
5.9	Additional functions	24
5.9.1	Setting procedure for blocking the protection functions.....	24
5.9.2	Reset.....	25
5.9.3	Erasure of fault storage.....	25
6.	Relay testing and commissioning	26
6.1	Power-On	26
6.2	Testing the output relays.....	26
6.3	Checking the set values	27
6.4	Secondary injection test.....	28
6.4.1	Test equipment	28
6.4.2	Example of the test circuit	28

6.4.3	Checking the input circuits and measuring functions.....	29
6.4.4	Checking the operating and resetting values of the over/under-voltage functions	29
6.4.5	Checking the relay operating time of the over/under voltage functions	29
6.4.6	Checking the external blocking and reset functions	30
6.5	Primary test	30
6.6	Maintenance.....	30
7.	Technical Data.....	31
7.1	Measuring input circuits.....	31
7.2	Common data.....	31
7.3	Setting ranges and steps.....	32
7.3.1	Interface parameter	32
7.3.2	Parameter for the fault recorder	32
7.4	Output relays	33
8.	Order form.....	34

1. Introduction and application

The voltage supervision relay MRU3-1 protects electrical power generators, consumers or operating components generally against over- or under-voltages.

Among other applications the relay can be used for detection of over- or undervoltages in power generating plants and energy supply systems

- to protect generators against critical overvoltages in case of defective voltage regulators
- as undervoltage protection for motors
- as generator stator earth fault protection
- as over- and undervoltage protection with evaluating the symmetrical components (MRU1-2, detailed information on this type can be found in the relevant technical description)

There is also a similar protection relay IRU1 available in a more simpler design, i.e. with less function, without display and without serial interface.

2. Features and characteristics

- Microprocessor technology with watchdog,
- digital filtering of the measured values by using discrete Fourier analysis to suppress higher harmonics and d.c. components induced by faults or system operations,
- two parameter sets,
- voltage supervision each with two step under-/ and overvoltage detection,
- Completely independent time settings for voltage supervision
- display of all measuring values and setting parameters for normal operation as well as tripping via a alphanumeric display and LEDs,
- display of measuring values as primary quantities
- 1-phase or 3-phase tripping criterion for the $U</U>$ step,
- Storage and display of tripping values in a fault memory (voltage-failure safe),
- recording of up to eight fault occurrences with time stamp
- for blocking the individual functions by the external blocking input, parameters can be set according to requirement,
- suppression of indication after an activation (LED flash),
- free assignment for output relays,
- display of date and time,
- in compliance with VDE 0435, part 303 and IEC 255,
- serial data exchange via RS485 interface possible; alternatively with SEG RS485 Pro-Open Data Protocol or Modbus Protocol.

Important:

For additional common data of all MR-relays please refer to technical description "MR - Digital Multifunctional Relays".

3. Design

3.1 Connections

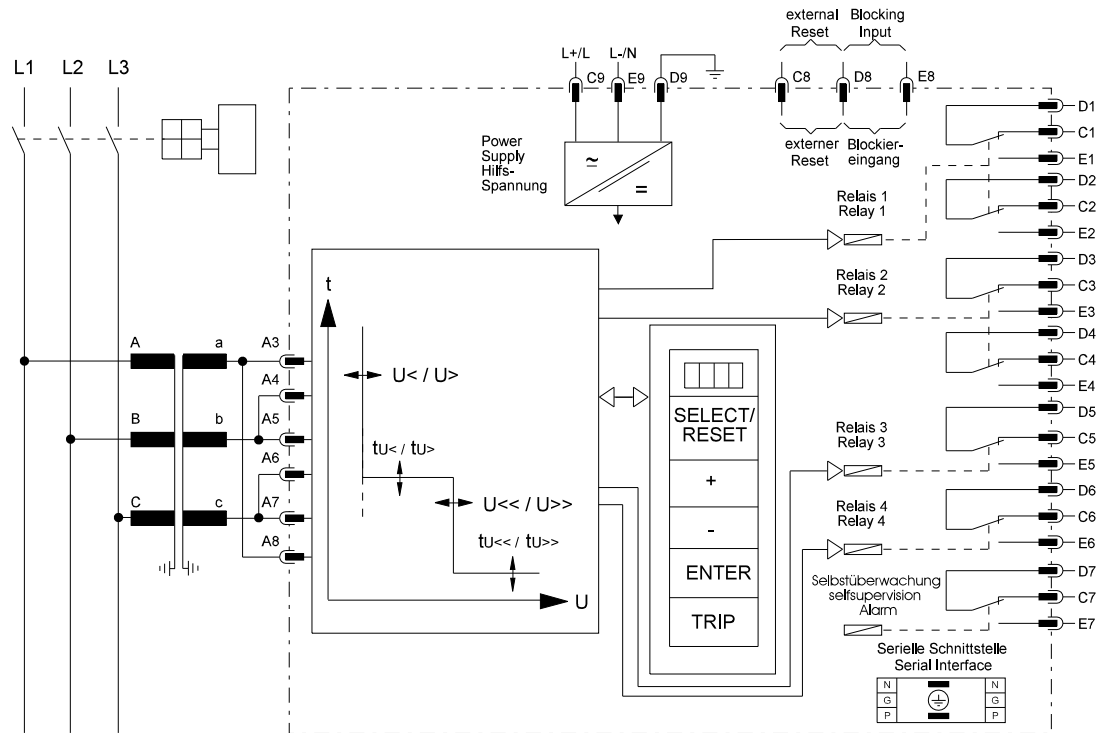


Figure 3.1: Connection of the MRU3-1 to phase-to-phase voltage

Note: Connection of phase-to-neutral voltage is possible too.

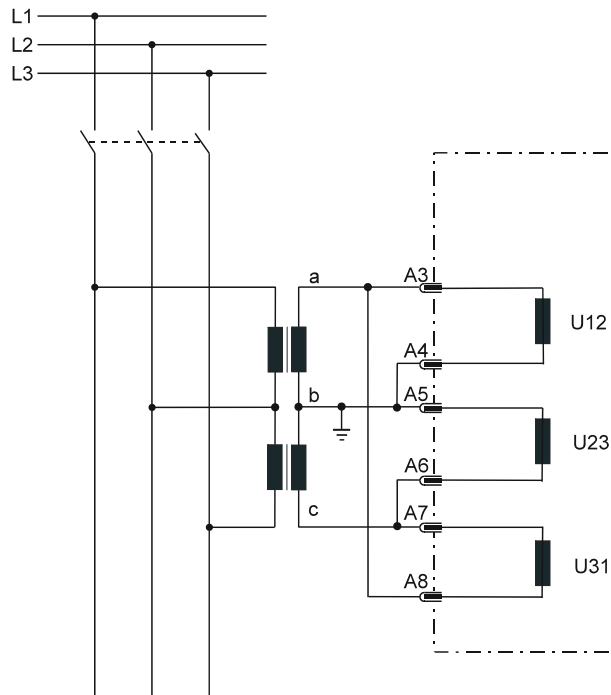


Figure 3.2: Voltage transformer in V-connection

3.1.1 Analog input circuits

The external wiring of the measuring circuits are shown in the connection diagram. The analog input voltages are galvanic ally decoupled by the input transformers of the device, then filtered and finally fed to the analog digital converter. The measuring circuits can be connected in star or delta connection.

3.1.2 Blocking input

When required to inhibit functions of the relay, the auxiliary voltage has to be switched to D8/E8. Please refer to chapter 4.4.

3.1.3 Reset input

Please refer to chapter 5.9.2.

3.1.4 Output relays

The MRU3-1 is equipped with 5 output relays.

- Relay 1; C1, D1, E1 and C2, D2, E2
- Relay 2; C3, D3, E3 and C4, D4, E4
- Relay 3; C5, D5, E5
- Relay 4; C6, D6, E6
- Relay 5; Signal self-supervision (internal failure of the unit) C7, D7, E7

All trip and alarm relays are working current relays, the relay for self supervision is an idle current relay.

3.1.5 Fault recorder

The MRU3-1 has a fault value recorder which re-cords the measured analog values as instantaneous values. The instantaneous values

UL1; UL2; UL3 for star connection
U12; U23; U21 for delta connection

are scanned at a raster of 1.25 ms (at 50 Hz) and 1.041 ms (at 60 Hz) and saved in a cyclic buffer. It is possible to store 1 - 8 fault occurrences with a total recording time of 16 s (with 50 Hz) and 13.33 s (with 60 Hz) per channel.

Storage division

Independent of the recording time, the entire storage capacity can be divided into several cases of disturbance with a shorter recording time each. In addition, the deletion behavior of the fault recorder can be influenced.

No writing over

If 2, 4 or 8 recordings are chosen, the complete memory is divided into the relevant number of partial segments. If this max. number of fault event has been exceeded, the fault recorder block any further recordings in order to prevent that the stored data are written over. After the data have been read and deleted, the recorder to ready again for further action.

Writing over

If 1, 3 or 7 recordings are chosen, the relevant number of partial segments is reserved in the complete memory. If the memory is full, a new re-cording will always write over the oldest one.

The memory part of the fault recorder is designed as circulating storage. In this example 7 fault records can be stored (written over).

Memory space 6 to 4 is occupied.
 Memory space 5 is currently being written in

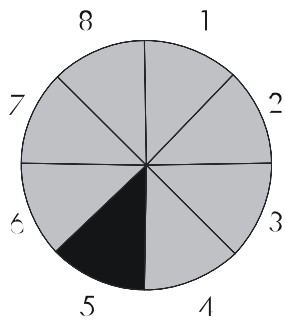


Figure 3.3: Division of the memory into 8 segments, for example

Since memory spaces 6, 7 and 8 are occupied, this example shows that the memory has been assigned more than eight recordings. This means that No. 6 is the oldest fault recording and No. 4 the most recent one.

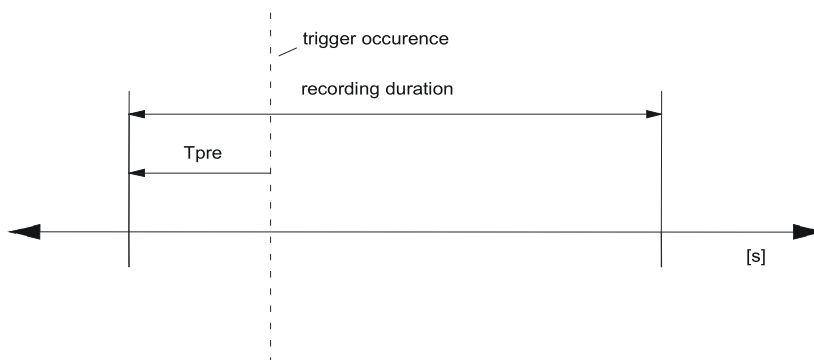


Figure 3.4: Basic set-up of the fault recorder

Each memory segment has a specified storage time which permits setting of a time prior to the trigger event.

3.1.6 Parameter settings

System parameters

$U_{\text{prim}}/U_{\text{sek}}$	Primary/secondary measured value display of the voltage transformers
Δ / Y	Selection of switching groups fN Rated frequency
P2 FR	Parameter switch/ext. triggering for the fault recorder
LED-Flash	Suppression of LED flashing after activation

Protection parameters

1/3	1-phase U</U> or 3-phase U</U> tripping
U<	Tripping value for undervoltage low set element
$t_{U<}$	Tripping delay time for undervoltage low set element
U<<	Tripping value for undervoltage high set element
$t_{U<<}$	Tripping delay time for undervoltage high set element
U>	Tripping value for overvoltage low set element
$t_{U>}$	Tripping delay time for overvoltage low set element
U>>	Tripping value for overvoltage high set element
$t_{U>>}$	Tripping delay time for overvoltage high set element

Parameters for the fault recorder

FR	Number of disturbance events
FR	Trigger events
FR	Pre-trigger time T_{vor}

Date and time

Year	Y = 00
Month	M = 04
Day	D = 18
Hour	h = 07
Minute	m = 59
Second	s = 23

Additional functions

Blocking function
Relay configuration
Fault memory

3.2 LEDs

All LEDs (except LED RS, FR and P2) are two-colored. The LEDs on the left side, next to the alphanumeric display light up green during measuring and red after tripping.

The LEDs below the push button <SELECT/RESET> are lit green during setting and inquiry procedure of the setting values which are printed on the left side next to the LEDs. The LEDs will light up red after parameterizing of the setting values next to their right side.

The LED marked with letters RS lights up during setting of the slave address of the device for serial data communication.

The LED marked with the letters FR is alight while the fault recorder is being adjusted.

If the ☉LED is displayed, date and time are shown.

3.3 Front plate

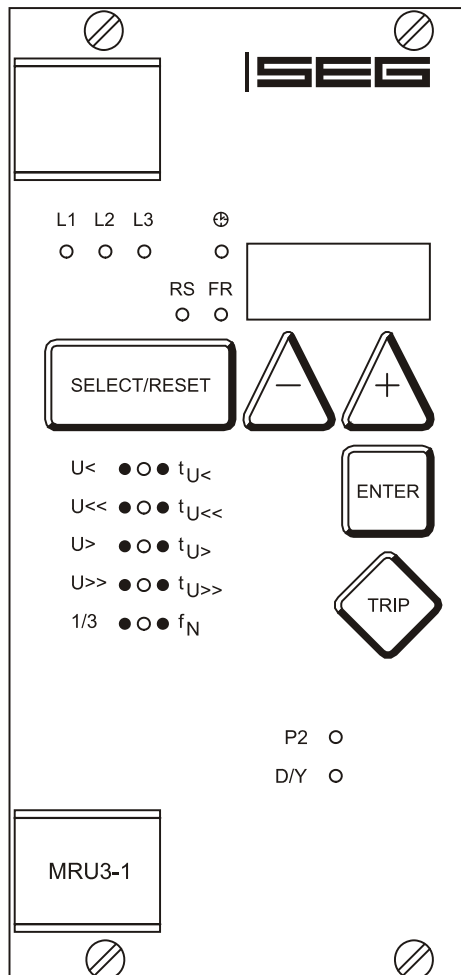


Figure3.5: Front plate MRU3-1

4. Working principle

4.1 Analog circuits

The input voltages are galvanically insulated by the input transformers. The noise signals caused by inductive and capacitive coupling are suppressed by an analog R-C filter circuit.

The analog voltage signals are fed to the A/D-converter of the microprocessor and transformed to digital signals through Sample- and Hold- circuits. The analog signals are sampled with a sampling frequency of $16 \times f_N$, namely, a sampling rate of 1.25 ms for every measuring quantity, at 50 Hz.

4.2 Digital circuits

The essential part of the MRU3-1 relay is a powerful microcontroller. All of the operations, from the analog digital conversion to the relay trip decision, are carried out by the microcontroller digitally. The relay program is located in an EPROM (Electrically-Programmable-Read-Only-Memory). With this program the CPU of the microcontroller calculates the three phase voltage in order to detect a possible fault situation in the protected object.

For the calculation of the voltage value an efficient digital filter based on the Fourier Transformation (DFFT - Discrete Fast Fourier Transformation) is applied to suppress high frequency harmonics and d.c. components caused by fault-induced transients or other system disturbances. The microprocessor continuously compares the measured values with the preset thresholds stored in the parameter memory (EEPROM). If a fault occurs an alarm is given and after the set tripping delay has elapsed, the corresponding trip relay is activated.

The relay setting values for all parameters are stored in a parameter memory (EEPROM - Electrically Erasable Programmable Read Only Memory), so that the actual relay settings cannot be lost, even if the power supply is interrupted.

The microprocessor is supervised by a built-in "watchdog" timer. In case of a failure the watchdog timer resets the microprocessor and gives an alarm signal via the output relay "self supervision".

4.3 Voltage supervision

The voltage relay MRU3-1 protects electrical generation systems, consumers and appliances in general against over- and/or under voltage. The relay is equipped with an independent, 2-step over- ($U>$, $U>>$) and under voltage supervision ($U<$, $U<<$) with separately adjustable tripping values and delay times. Voltage measuring is 3-phase. In this process there is a continuous comparison of the line conductor voltages in case of a delta connection and of the phase voltages in case of a star connection with the preset limit values.

With the MRU3-1 the highest voltage is always evaluated for overvoltage supervision and the lowest voltage for under voltage supervision.

A distinction is made between 1-phase and 3-phase tripping. (1/3 – Parameter)

With 1-phase tripping the voltages are evaluated as follows:

$U</U<</U</U>>$: Activation or tripping takes place if at least one phase has fallen short of the tripping value.

With 3-phase tripping the voltages are evaluated as follows:

$U<$: Activation or tripping takes place if all three phases have fallen short of the tripping value.

$U<<$: Activation or tripping takes place if one phase has fallen short of the tripping value.

$U>$: Activation or tripping takes place if all three phases have exceeded the tripping value.

$U>>$ Activation or tripping takes place if one phase has exceeded the tripping value.

4.3.1 Selection of star or delta

All six connections of the input voltage transformers are led to screw terminals. The nominal voltage of the device is equal to the nominal voltage of the input transformers. Dependent on the application the input transformers can be connected in either delta or star. The connection for the phase-to-phase voltage is the delta connection. In star connection the measuring voltage is reduced by $1/\sqrt{3}$. During parameter setting the connection configuration either Y or delta has to be adjusted.

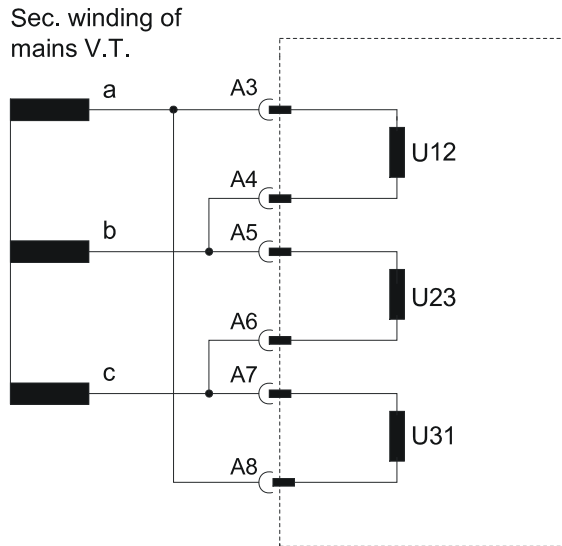


Figure4.1: Input v.t.s in delta connection (D)

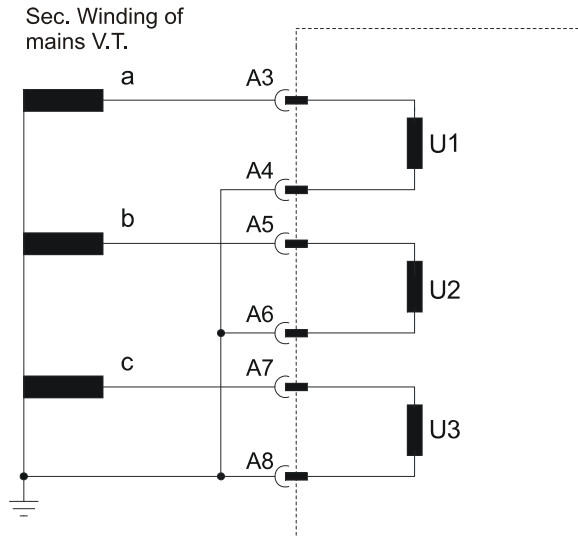


Figure4.2: Input v.t.s in star connection (Y)

4.4 Blocking function

No.	Dynamic Behaviour	U</><	U>/>>
1	voltage to external blocking input is applied	free programmable	free programmable
2	blocking input is released	released instantaneously	released instantaneously
3	supply voltage is switched on	blocked for 200 ms	blocked for 200 ms
4	3ph measuring volt. is suddenly applied	released	released
5	one or several measuring voltages are switched off suddenly (phase failure)	released	released

Figure 4.3: Dynamic behavior of MRU3-1 functions

Blocking function set in compliance with requirements:

The MRU3-1 has an external blocking input. By applying the auxiliary voltage to input D8/E8, the requested protection functions of the relay are blocked (refer to chapter 5.9.1)

5. Operations and settings

5.1 Display

Function	Display shows	Pressed pushbutton	Corresponding LED
Normal operation	SEG		
Measured operating values	Actual measured values	<SELECT/RESET> one time for each value	L1, L2, L3,
Transformer ratio of the CT's	(SEK) 1.01 – 6500=prim	<SELECT/RESET><+><->	L1, L2, L3
Setting values: star/delta connection	Y/DELTA	<SELECT/RESET><+><->	Δ/Y
Parameter switch/ext. triggering for the fault recorder	SET1, SET2, B_S2, R_S2, R_S2, B_FR, R_FR, S2_FR	<SELECT/RESET><+><->	P2
Switch-over LED flash No LED flash	FLSH NOFL	<SELECT/RESET> <+><->	
undervoltage (low set) tripping delay of low set element	setting value in volt setting value in seconds	<SELECT/RESET><+><-> one time for each value	U< t _{U<}
undervoltage (high set) tripping delay of high set element	setting value in volt setting value in seconds	<SELECT/RESET><+><-> one time for each value	U<< t _{U<<}
overvoltage (low set) tripping delay of low set element	setting value in volt setting value in seconds	<SELECT/RESET><+><-> one time for each value	U> t _{U>}
overvoltage (high set) tripping delay of high set element	setting value in volt setting value in seconds	<SELECT/RESET><+><-> one time for each value	U>> t _{U>>}
rated frequency	setting value in Hz	<SELECT/RESET><+><->	f _N
U</U> 1-phase/3-phase	U<>1/U<>3	<SELECT/RESET><+><->	1/3
Blocking function	EXIT	<+> until max. setting value <-> until min. setting value	LED of blocked parameter
Slave address of serial interface	1 - 32	<SELECT/RESET><+><->	RS
Baud-Rate ¹⁾	1200-9600	<SELECT/RESET> <+><->	RS
Parity-Check ¹⁾	even odd no	<SELECT/RESET> <+><->	RS
Recorded fault data: star-connection: U1, U2, U3	tripping values in Volt	<SELECT/RESET><+><-> one time for each phase	L1, L2, L3, U<, U<<, U>, U>>
delta-connection: U12, U23, U31	tripping values in Volt	<SELECT/RESET><+><-> one time for each phase	L1, L2, L3, U<, U<<, U>, U>>
Save parameter?	SAV?	<ENTER>	
Save parameter!	SAV!	<ENTER> for about 3 s	
Delete fault memory	wait	<-> <SELECT/RESET>	
Enquiry fault memory	FLT1; FLT2.....	<-><+>	L1, L2, L3 U<, U<<, U>, U>>
Trigger signal for the fault recorder	TEST, P_UP, A_PI, TRIP	<SELECT/RESET> <+><->	FR

Function	Display shows	Pressed pushbutton	Corresponding LED
Number of fault occurrences	S = 2, S = 4, S = 8	<SELECT/RESET> <+><->	FR
Display of date and time	Y = 99, M = 10, D = 1, h = 12, m = 2, s = 12	<SELECT/RESET> <+><->	<input type="checkbox"/>
Software version	First part (e.g. D02-) Sec. part (e.g. 6.01)	<TRIP> one time for each part	
Manual trip	TRI?	<TRIP> three times	
Inquire password	PSW?	<SELECT/RESET>/ <+>/<->/<ENTER>	
Relay tripped	TRIP	<TRIP> or fault tripping	
Secret password input	XXXX	<SELECT/RESET>/ <+>/<->/<ENTER>	
System reset	SEG	<SELECT/RESET> for about 3 s	

¹⁾ only Modbus

Table 5.1: Possible indication messages on the display

5.2 Setting procedure

For parameter setting a password has to be entered first (please refer to 4.4 of description "MR-Digital Multifunctional Relays").

5.3 Systemparameter

5.3.1 Display of residual voltage U_E as primary quantity ($U_{\text{prim}}/U_{\text{sec}}$)

The residual voltage can be shown as primary measuring value. For this parameter the transformation ratio of the VT has to be set accordingly. If the parameter is set to "sec", the measuring value is shown as rated secondary voltage.

Example:

The voltage transformer is used for 10 kV/100 V. The transformation ratio is 100 and this value has to be set accordingly. If still the rated secondary voltage should be shown, the parameter is to be set to 1.

5.3.2 D/Y – Switch over

Depending on the mains voltage conditions, the input voltage transformers can be operated in delta or Y connection. Changeovers are effected via the <+> and the <-> keys and stored with <ENTER>.

5.3.3 Setting of nominal frequency

For proper functioning it is necessary to first adjust the rated frequency (50 oder 60 Hz).

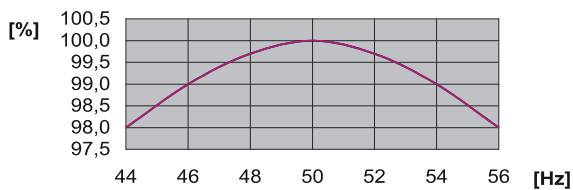
It can be selected between „f = 50 Hz“, „f = 60 Hz“ or „v = 50 Hz“, „v = 60 Hz“.

The difference lies in the method of voltage measuring.

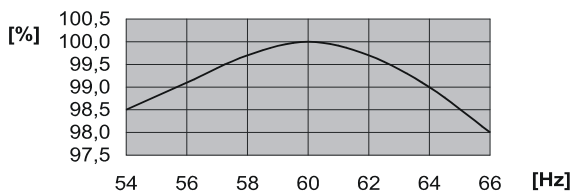
With the setting "v = 50 Hz or v = 60 Hz" voltage measuring is independent of the existing frequency. This means, the voltage value can be correctly measured between 40 Hz and 70 Hz without adverse effects from the frequency.

With the setting "f" = 50/60 Hz the measured voltage value is influenced by the frequency. (see Table 5.2)

Declination of measuring value at 50Hz



Declination of measuring value at 60Hz



This difference in settings is required for the fault recorder. If the fault recorder is to be used, the setting must be f = 50 Hz or f = 60 Hz.

At 50 Hz or 60 Hz the fault recorder determines 16 measured values per period. With the setting "v = 50 Hz or v = 60 Hz" 16 measured values of the presently measured frequency would always be determined. The disturbance recorder would not indicate any frequency changes and thus render incorrect measuring results.

Setting	v = 50	f = 50	v = 60	f = 60
Rated frequency*	50 Hz	50 Hz	60 Hz	60 Hz
Influence on voltage measurement	none	0.5..1%/Hz (see table 5.1)	none	0.5..1%/Hz (see table 5.1)
Fault recorder	Recording distorted**	Recording correct***	Recording distorted**	Recording correct***
Influence on all other functions	none	none	none	none

Table 5.2: Deviation of measured value at 50 Hz or 60 Hz

* Setting is important for correct recording of fault recorder

** Sample rate is variably adjusted to the momentarily measured frequency. 16 samples are always measured in one period.

*** Sample rate setting is fixed to 50 Hz or 60 Hz. 16 samples per 20 ms or 16.67 ms are always measured.

5.3.4 Display of the activation storage

If after an activation the existing current drops again below the pickup value, e.g. $U_{<}$, without a trip has been initiated, LED $U_{<}$ signals that an activation has occurred by flashing fast. The LED keeps flashing until it is reset again (push button <RESET>). Flashing can be suppressed when the parameter is set to NOFL.

5.3.5 Parameter switch/external triggering for the fault recorder

By means of the parameter-change-over switches it is possible to activate two different parameter sets. Switching over of the parameter sets can either be done by means of software or via the external inputs RESET or blocking input. Alternatively, the external inputs can be used for Reset or blocking of the triggering of the fault recorder.

Software-parameter Blocking input used as RESET input used as

Software-parameter	Blocking input used as	RESET input used as
SET1	Blocking input	RESET input
SET2	Blocking input	RESET input
B_S2	Parameter switch	RESET input
R_S2	Blocking input	Parameter switch
B_FR	External triggering of the fault recorder	Reset input
R_FR	Blocking input	External triggering of the fault recorder
S2_FR	Parameter switch	External triggering of the fault recorder

With the settings SET1 or SET2 the parameter set is activated by software. Terminals C8/D8 and D8/E8 are then available as external reset input or blocking input.

With the setting B_S2 the blocking input (D8, E8) is used as parameter-set change-over switch. With the setting R_S2 the reset input (D8, E8) is used as parameter-set change-over switch. With the setting B_FR the fault recorder is activated immediately by using the blocking input. On the front plate the LED FR will then light up for the duration of the recording. With the setting R_FR the fault recorder is activated via the reset input.

With the setting S2_FR parameter set 2 can be activated via the blocking input and/or the fault recorder via the reset input.

The relevant function is then activated by applying the auxiliary voltage to one of the external inputs.

Important note:

When functioning as parameter change over facility, the external input RESET is not available for resetting. When using the external input BLOCKING the protection functions must be deactivated by software blocking separately (refer to chapter 5.9.1).

5.4 Protection parameters

5.4.1 1-phase or 3-phase U</U>-tripping

Switching-over of the parameter permits selection between 1-phase and 3-phase tripping of the U</U> steps.

Keys <+> or <-> are used to change the value and <ENTER> to store it.

Note

When the MRU3-1 is to be used for measuring the residual voltage in systems with isolated or compensated neutral or as generator earth fault protection, the measuring voltage has to be applied to terminals

A3-A4. Undervoltage functions U< and U<< have to be set to "EXIT" and overvoltage functions U> and U>> have to be adjusted to the required pickup values.

The frequency must be set to 50 or 60 Hz. The parameter 1-phase or 3-phase tripping must be set to U<>1 (1-phase tripping).

5.4.2 Parameter setting of over- and undervoltage supervision

The setting procedure is guided by two colored LEDs. During setting of the voltage thresholds the LEDs U<, U<<, U> and U>> are lit green. During setting of the trip delays $t_{U>}$, $t_{U>>}$, $t_{U<}$ and $t_{U<<}$ the according LEDs light up red.

Thresholds of the voltage supervision

During setting of the threshold U>, U>>, U< and U<< the displays shows the voltages directly in volt. The thresholds can be changed by the <+> <-> push buttons and stored with <ENTER>.

The under voltage supervision (U< and U<<) as well as the overvoltage supervision (U> and U>>) can be de-activated by setting the threshold to "EXIT".

Tripping delay of voltage supervision

During setting of the tripping delays $t_{U<}$, $t_{U<<}$, $t_{U>}$ and $t_{U>>}$ the display shows the value directly in seconds. The tripping delay is changed via the push button <+> and <-> in the range of 0,04 s to 50 s and can be stored with the push button <ENTER>.

When setting the tripping delay to "EXIT" the value is infinite meaning only warning, no tripping.

5.4.3 Adjustment of the slave address

By pressing push buttons <+> and <-> the slave address can be set in the range of 1 - 32. During this adjustment the LED RS lights up.

5.4.4 Setting of Baud-rate (applies for Modbus-Protocol only)

Different transmission rates (Baud rate) can be set for data transmission via Modbus Protocol.

The rate can be changed by push buttons <+> and <-> and saved by pressing <ENTER>.

5.4.5 Setting of parity (applies for Modbus-Protocol only)

The following three parity settings are possible :

- "even" = even parity
- "odd" = odd parity
- "no" = no parity check

The setting can be changed by push buttons <+> and <-> and saved by pressing <ENTER>.

5.5 Parameter for the fault recorder

5.5.1 Adjustment of the fault recorder

The MRU3-1 is equipped with a fault recorder (see chapter 3.1.5). Three parameters can be determined.

5.5.2 Number of the fault recordings

The max. recording time is 16 s at 50 Hz or 13.33 s at 60 Hz.

The number of max. recordings requested has to be determined in advance. There is a choice of (1)* 2, (3)* 4 or (7)* 8 recordings and dependent on this the duration of the individual fault recordings is defined, i.e.

(1)* 2 recordings for a duration of 8 s (with 50 Hz)

(6.66 s with 60 Hz)

(3)* 4 recordings for a duration of 4 s (with 50 Hz)

(3.33 s with 60 Hz)

(7)* 8 recordings for a duration of 2 s (with 50 Hz)

(1.66 s with 60 Hz)

* is written over when a new trigger signal arrives

Caution:

If the fault recorder is used, the frequency should be set to $f = 50$ Hz or $f = 60$ Hz (see chapter 5.3.3).

5.5.3 Adjustment of trigger occurrences

There is a choice between four different occurrences:

P_UP (Pick UP)	Storage is initiated after recognition of a general activation.
TRIP	Storage is initiated after a trip has occurred .A_PI (After Pickup) Storage is initiated after the last activation threshold was fallen short of.
TEST	Storing is activated by simultaneous actuation of the keys <+> and <->. During the recording time the display shows "Test".

5.5.4 Pre-trigger time (T_{pre})

By the time T_{pre} it is determined which period of time prior to the trigger occurrence should be stored as well. It is possible to adjust a time between 0.05s and the max. recording interval (2, 4 and 8s). With keys <+> and <-> the values can be changed and with <ENTER> be saved.

5.6 Date and time

5.6.1 Adjustment of the clock

When adjusting the date and time, LED ☉ lights up. The adjustment method is as follows:

Date :	Year	Y=00
	Month	M=01
	Day	D=01
Time :	Hour	h=00
	Minute	m=00
	Second	s=00

The clock starts with the set date and time as soon as the supply voltage is switched on. The time is safeguarded against short-term voltage failures (min. 6 minutes).

Note:

The window for parameter setting is located behind the measured value display. The parameter window can be accessed via the <SELECT/RESET> key.

5.7 Indication of measuring values

5.7.1 Measuring indication

In normal operation the following measuring values can be displayed.

- Voltages (LED L1, L2, L3 green)
- In star connection all phase-to-neutral voltages
- In delta connection all phase-to-phase voltages

5.7.2 Unit of the measuring values displayed

The measuring values can optionally be shown in the display as a multiple of the "sek" rated value (x In) or as primary current (A). According to this the units of the display change as follows:

Indication as	Range	Unit
Sec. voltage	000V - 999V	V
Primary voltage	.00V – 999V	V
	1k00 – 9k99	kV
	10k0 – 99k0	kV
	100k – 999k	kV
	1M00 – 3M00	MV

Table 5.3: Units of the display

5.7.3 Indication of fault memory data

All faults detected by the relay are indicated on the front plate optically. For this purpose, the three LEDs (L1, L2, L3) and the four function LEDs (U<, U<<, U>, U>>) are equipped at MRU3-1. Not only fault messages are transmitted, the display also indicates the tripped protection function. If, for example an over current occurs, first the respective phase LED will light up. LED I> lights up at the same time. After tripping the LEDs are lit permanently.

5.8 Fault memory

When the relay is energized or is energized or trips, all fault data and times are stored in a non-volatile memory manner. Events will be recorded at pick-up of the relay and faults when the relay trips. Any further faults which occur during this tripping will also be recorded, when the time difference between the fault is >300 ms. The MRU3-1 is provided with a fault value recorder for max. five fault occurrences. In the event of additional trippings always the oldest data set is written over.

For fault indication not only the trip values are re-corded but also the status of LEDs. Fault values are indicated when push buttons <-> or <+> are pressed during normal measuring value indication.

- Normal measuring values are selected by pressing the <SELECT/RESET> button.
- When then the <-> button is pressed, the latest fault data set is shown. By repeated pressing the <-> button the last but one fault data set is shown etc. For indication of fault data sets abbreviations FLT1, FLT2, FLT3, ... are displayed (FLT1 means the latest fault data set recorded). At the same time the parameter set active at the occurrence is shown.
- By pressing <SELECT/RESET> the fault measuring values can be scrolled.
- By pressing <+> it can be scrolled back to a more recent fault data set. At first FLT8, FLT7, are always displayed. When fault recording is indicated (FLT1 etc), the LEDs flash in compliance with the stored trip information, i.e. those LEDs which showed a continuous light when the fault occurred are now blinking to indicate that it is not a current fault. LEDs which were blinking during trip conditions, (element had picked up) just briefly flash.
- If the relay is still in trip condition and not yet reset (TRIP is still displayed), no measuring values can be shown.
- To delete the trip store, the push button combination <SELECT/RESET> and <->, has to be pressed for about 3s. The display shows "wait".

Recorded fault data:

Measuring	Displayed value	Corresponding LED
Voltage	L1; L2; L3; star L1/L2; L2/L3: L3/L1 delta	L1; L2; L3
Time stamp		
Date:	Y = 99 M = 03 D = 10	⊕ ⊕ ⊕
Time:	h = 17 m = 21 s = 14	⊕ ⊕ ⊕

5.9 Additional functions

5.9.1 Setting procedure for blocking the protection functions

The blocking function of the MRU3-1 can be set according to requirement. By applying the aux. voltage to D8/E8, the functions chosen by the user are blocked. Setting of the parameter should be done as follows:

- When pressing push buttons <ENTER> and <TRIP> at the same time, message "BLOC" is displayed (i.e. the respective function is blocked) or "NO_B" (i.e. the respective function is not blocked). The LED allocated to the first protection function U< lights red.
- By pressing push buttons <+> <-> the value displayed can be changed.
- The changed value is stored by pressing <ENTER> and entering the password.
- By pressing the <SELECT/RESET> push button, any further protection function which can be blocked is displayed.
- Thereafter the menu is left by pressing <SELECT/RESET> again.
- If the <SELECT/RESET> key is actuated again, the blocking menu is left and the assignment mode is accessed.

Function	Description	Display	LED
U<	Under voltage step 1	BLOC	green
U<<	Under voltage step 2	BLOC	green
U>	Overvoltage step 1	NO_B	green
U>>	Overvoltage step 2	NO_B	green

Figure 5.1: Blocking function for two parameter sets

Assignment of the output relays:

Unit MRU3-1 has five output relays. The fifth output relay is provided as permanent alarm relay for self supervision is normally on. Output relays 1 - 4 are normally off and can be assigned as alarm or tripping relays to the voltage functions which can either be done by using the push buttons on the front plate or via serial interface RS485. The assignment of the output relays is similar to the setting of parameters, however, only in the assignment mode. The assignment mode can be reached only via the blocking mode.

By pressing push button <SELECT/RESET> in blocking mode again, the assignment mode is selected.

The relays are assigned as follows: LEDs U<, U<<, U> and U>> are two-colored and light up **green** when the output relays are assigned as alarm relays and $t_{U<}$, $t_{U<<}$, $t_{U>}$, $t_{U>>}$, **red** as **tripping relays**.

Definition:

Alarm relays are activated at pickup.

Tripping relays are only activated after elapse of the tripping delay.

After the assignment mode has been activated, first

LED U< lights up green. Now one or several of the four output relays can be assigned to under voltage element U< as alarm relays. At the same time the selected alarm relays for under voltage element 1 are indicated on the display. Indication "1_ _ _" means that output relay 1 is assigned to this under voltage element. When the display shows "_ _ _ _", no alarm relay is assigned to this under voltage element. The assignment of output relays 1 - 4 to the current elements can be changed by pressing <+> and <-> push buttons. The selected assignment can be stored by pressing push button <ENTER> and subsequent input of the password. By pressing push button <SELECT/RESET>, LED U< lights up red. The output relays can now be assigned to this voltage element as tripping relays.

Relays 1 - 4 are selected in the same way as de-scribed before. By repeatedly pressing of the <SELECT/RESET> push button and assignment of the relays all elements can be assigned separately to the relays. The assignment mode can be terminated at any time by pressing the <SELECT/RESET> push button for some time (abt. 3 s).

Note:

- The function of jumper J2 described in general description "MR Digital Multifunctional Relays" does not apply for MRU3-1. For relays without assignment mode this jumper is used for parameter setting of alarm relays (activation at pickup or tripping). A form is attached to this description where the setting requested by the customer can be filled-in. This form is prepared for telefax transmission and can be used for your own reference as well as for telephone queries.

5.9.2 Reset

All relays have the following three possibilities to reset the display of the unit as well as the output relay at jumper position J3=ON.

Manual Reset

- Pressing the push button <SELECT/RESET> for some time (about 3 s)

Electrical Reset

- Through applying auxiliary voltage to C8/D8

Software Reset

- The software reset has the same effect as the <SELECT/RESET> push button (see also communication protocol of RS485 interface)

The display can only be reset when the pickup is not present anymore (otherwise "TRIP" remains in display).

During resetting of the display the parameters are not affected.

5.9.3 Erasure of fault storage

To delete the trip store, the push button combination <SELECT/RESET> and <->, has to be pressed for about 3s. The display shows "wait".

Relay function	Output relays				Display-Indication	Corresponding LED
	1	2	3	4		
U< Alarm tU< Tripping			X		---- _ 3 _	U<; green tU< red
U<< Alarm tU<< Tripping				X	---- _ 4 _	U<< green tU<< red
U> Alarm tU> Tripping	X				---- 1 _ _ _	U> green tU> red
U>> Alarm tU>> Tripping		X			---- _ 2 _ _	U>> green tU>> red

6. Relay testing and commissioning

The following test instructions should help to verify the protection relay performance before or during commissioning of the protection system. To avoid a relay damage and to ensure a correct relay operation, be sure that:

- The auxiliary power supply rating corresponds to the auxiliary voltage on site.
- The rated frequency and rated voltage of the re-lay correspond to the plant data on site.
- The voltage transformer circuits are connected to the relay correctly.
- All signal circuits and output relay circuits are connected correctly.

6.1 Power-On

NOTE!

Prior to switch on the auxiliary power supply, be sure that the auxiliary supply voltage corresponds to the rated data on the type plate.

Switch on the auxiliary power supply to the relay and check that the message "SEG" appears on the display and the self supervision alarm relay (watchdog) is energized (Contact terminals D7 and E7 closed).

It may happen that the relay is tripped because of under-voltage condition after power-on. (The message "TRIP" on the display and LED L1, L2, L3 and U< light up red). An undervoltage condition has been detected after power-on, because no input voltages are applied to the relay. In this case:

- Press the push button <ENTER>, thus entering into the setting mode. Now set the parameters U< and U<< to "EXIT" to block the under voltage functions. After that, press the <SELECT/RESET> for app. 3 s to reset the LEDs and "TRIP" message.
- The under voltage tripping after power on can also be eliminated by applying three phase rated voltages after power-on and reset the LED and "TRIP" message.
- Apply auxiliary voltage to the external blocking input (Terminals E8/D8) to inhibit the under voltage functions (refer to 6.5) and press the <SELECT/RESET> for app. 3 s to reset the LEDs and "TRIP" message.

(see chapter 5.9.1)

6.2 Testing the output relays

NOTE!

Prior to commencing this test, interrupt the trip circuit to the circuit breaker if tripping is not desired. By pressing the push button <TRIP> once, the display shows the first part of the software version of the relay (e.g. „D08-“). By pressing the push button <TRIP> twice, the display shows the second part of the software version of the relay (e.g. „4.01“). The software version should be quoted in all correspondence. Pressing the <TRIP> button once more, the display shows "PSW?". Please enter the correct password to proceed with the test. The message "TRI?" will follow. Confirm this message by pressing the push button <TRIP> again. All out-put relays should then be activated and the self supervision alarm relay (watchdog) be deenergized one after another with a time interval of 1 second. Thereafter, reset all output relays back to their normal positions by pressing the push button <SELECT/RESET>.

6.3 Checking the set values

By repeatedly pressing the push button <SELECT>, all relay set values may be checked. Set value modification can be done with the push button <+><-> and <ENTER>. For detailed information about that, please refer to chapter 4.3 of the description "MR – Digital multifunctional relays". As relay input energizing quantities, three phase voltages should be applied to MRU3 relay input circuits. Depending on the system conditions and the voltage transformer used, three voltages can be connected to the relay input circuits with either star or delta connection. In case of a star connection the phase-to-neutral voltage will be applied to the voltage input circuits, while the phase-to-phase voltages will be connected to the voltage input circuits in case of a delta connection. The voltage input connection must be set as a parameter, and should correspond with the actual voltage input connection:

Star connection: Phase-to-neutral voltages will be measured and evaluated.
Delta connection: Phase-to-phase voltages will be measured and evaluated.

NOTE!

For MRU3-1 relay used for earth fault protection be sure that the frequency set value ($f=50/60$) has been selected correctly according to your system frequency (50 or 60 Hz). This also applies when using the disturbance recorder (refer to Chapter 5.3.3).

6.4 Secondary injection test

6.4.1 Test equipment

- Voltmeter with class 1 or better
- Auxiliary power supply with the voltage corresponding to the rated data on the type plate
- Three-phase voltage supply unit with frequency regulation (Voltage: adjustable from 0 to $\geq 2 \times U_N$)
- Timer to measure the operating time (Accuracy class ≤ 10 ms)
- Switching device
- Test leads and tools

6.4.2 Example of the test circuit

For testing of the MRU3-1 relay, a three phase voltage source is required. Figure 6.1 shows an example of a three-phase test circuit energizing the MRU3-1 relay during test. The three phase voltages are applied to the relay in Y-connection.

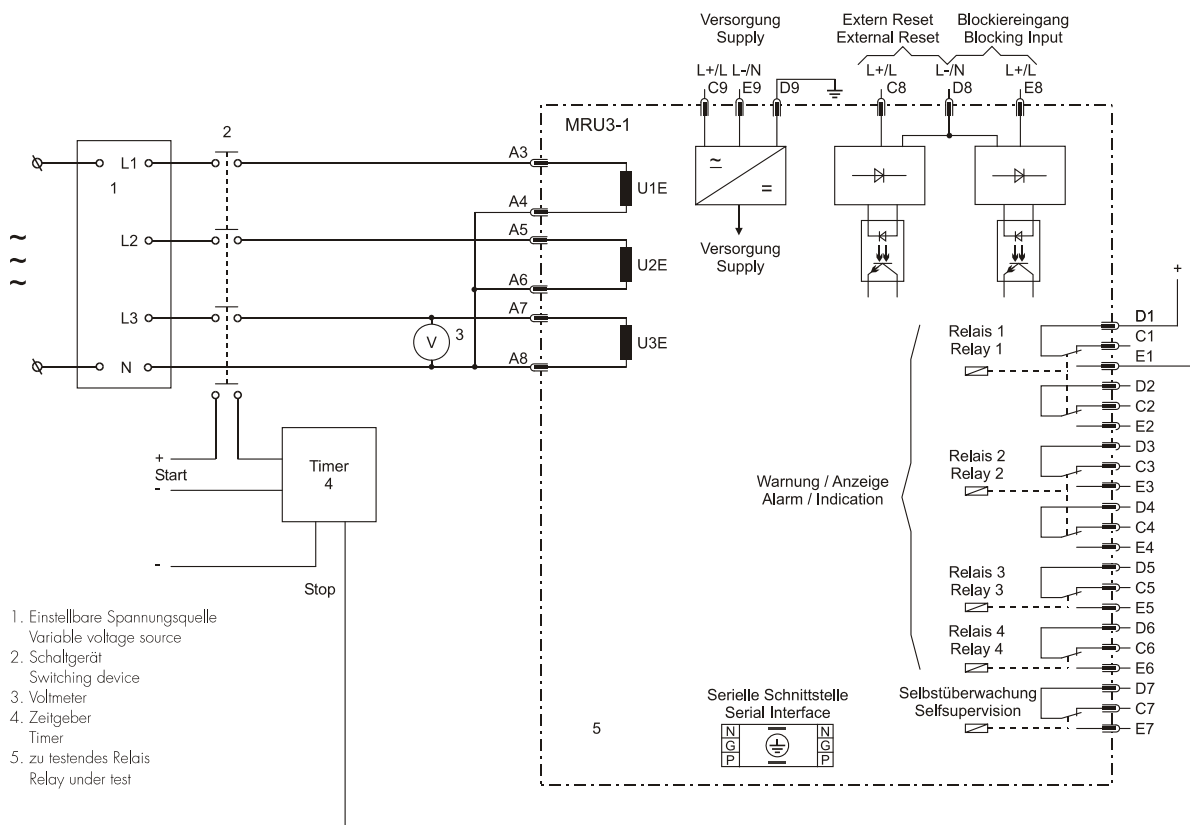


Figure 6.1: 3-phase test circuit

6.4.3 Checking the input circuits and measuring functions

Apply three voltages of rated value to the voltage input circuits (terminals A3 - A8) of the relay. Check the measured voltages, frequency and vector surge on the display by pressing the push button <SELECT/RESET> repeatedly.

The voltages are indicated on the display in volts, at

Y-connection:

- Phase-to-neutral voltages: LED L1, L2, L3

Delta-connection:

- Phase-to-phase voltages: LED L1+L2, L2+L3, L3+L1

Change the voltages around the rated value and check the measured voltages on the display.

Compare the voltage displayed with the reading at voltmeter. The deviation for the voltage must not exceed 1%.

By using an RMS-metering instrument, a greater deviation may be observed if the test voltages contains harmonics. Because the MRU1 relay measures only the fundamental component of the input signals, the harmonics will be rejected by the internal DFFT-digital filter. Whereas the RMS-metering instrument measures the RMS-value of the input signals.

6.4.4 Checking the operating and resetting values of the over/under-voltage functions

Apply three voltages with the rated value and gradually increase (decrease) the voltages until the relay starts, i.e. at the moment when the LED U> (or U<) lights up or the voltage alarm output relay (contact terminals D4/E4) is activated. Read the operating voltage indicated by the voltmeter. The deviation must not exceed 1% of the set operating value.

Furthermore, gradually decrease (increase) the voltages until the relay resets, i.e. the voltage alarm output relay is disengaged. Check that the dropout to pickup ratio is greater than 0.97 (for overvoltage function) or smaller than 1.03 (for under voltage).

6.4.5 Checking the relay operating time of the over/under voltage functions

To check the relay's operating time, a timer must be connected to the trip output relay contact (Contact terminals D1/E1). The timer should be started simultaneously with the voltage change from sound condition to a faulty condition and stopped by the trip relay contact. The operating time measured by timer should have a deviation about 3% of the set value or < 20 ms.

6.4.6 Checking the external blocking and reset functions

The external blocking input blocks the selected voltage functions.

Care must be taken that these terminals are also assigned the blocking function (refer to chapter 5.9.1). The external blocking input inhibits under-voltage functions. To test the blocking function apply auxiliary supply voltage to the external blocking input of the relay (terminals E8/D8). Inject a test voltage which could cause tripping for the functions above mentioned. Observe that there is no trip and alarm.

Remove the auxiliary supply voltage from the blocking input. Apply test voltages to trip the relay (message „TRIP“ on the display). Return the test voltages to the sound condition and apply auxiliary supply voltage to the external reset input of the relay (terminals C8/D8). The display and LED indications should be reset immediately.

6.5 Primary test

Generally, a primary injection test could be carried out in the similar manner as the secondary injection test described above. With the difference that the protected power system should be, in this case, connected to the installed relays under test „on line“, and the test voltages should be injected to the relay through the voltage transformers with the primary side energized. Since the cost and potential hazards are very high for such a test, primary injection tests are usually limited to very important protective relays in the power system.

Because of its powerful combined indicating and measuring functions, the MRU1 relay may be tested in the manner of a primary injection test without extra expenditure and time consumption.

In actual service, for example, the measured voltage values on the MRU3-1 relay display may be compared phase by phase with the concerned indications of the instruments of the switchboard to verify that the relay works and measures correctly.

6.6 Maintenance

Maintenance testing is generally done on site at regular intervals. These intervals vary among users depending on many factors: e.g. the type of protective relays employed; the importance of the primary equipment being protected; the user's past experience with the relay, etc.

For electromechanical or static relays, maintenance testing will be performed at least once a year according to the experiences. For digital re-lays like MRU3-1, this interval can be substantially longer. This is because:

- the MR- relays are equipped with very wide self-supervision functions, so that many faults in the relay can be detected and signaled during service. Important: The self-supervision output relay must be connected to a central alarm panel!
- the combined measuring functions of MR-relays enable supervision the relay functions during service.
- the combined TRIP test function of the MR-relay allows to test the relay output circuits.

A testing interval of two years for maintenance will, therefore, be recommended.

During a maintenance test, the relay functions including the operating values and relay tripping times should be tested.

7. Technical Data

7.1 Measuring input circuits

Rated data:	Nominal voltage U_N	100 V, 230 V, 400 V
	Nominal frequency f_N	40 - 70 Hz
Power consumption in voltage circuit: <	1 VA per phase at U_N	
Thermal withstand in voltage circuit:	continuously	2 x U_N

7.2 Common data

Dropout to pickup ratio:	for $U>/U>>$: >98 %;	for $U</U<<$: <102 %
Dropout time:	30 ms	
Time lag error class index E:	± 10 ms	
Minimum operating time:	30 ms	
Max. allowed interruption of the auxiliary supply without effecting the function of the device:	50 ms	
Influences on voltage measuring:		
Aux. voltage:	in the range $0.8 < U_H/U_{HN} < 1.2$ no additional influences to be measured	
Frequency:	in the range $0.8 < f / f_N < 1.4$ (for $f_N = 50$ Hz) <0.15 % / Hz	
Harmonics:	up to 20 % of the 3rd harmonic <0.1 % per percent of the 3rd harmonic up to 20 % of the 5th harmonic <0.05 % per percent of the 5th harmonic	

7.3 Setting ranges and steps

Function	Parameter	Setting range	Steps	Tolerance
Transformer ratio	$U_{\text{prim}}/U_{\text{sek}}$	(sek) 1.01...6500	0.01; 0.02; 0.05; 0.1; 0.2; 0.5; 1.0; 2.0; 5.0; 10; 20; 50	
Rated frequency	f_N	$f = 50/v = 60/v = 50/v = 60$		
Switch group	D/Y	D = DELT/Y = Y		
LED blinking at pick-up		FLSH/NOFL		
Parameter switch/external triggering for FR	P2/FR	SET1, SET2, B_S2, R_S2, R_S2, B_FR, R_FR, S2_FR		
1/3-phase tripping	1/3	$U <> 1$; $U <> 3$		
$U < / <<$	$U < / <<$ $t_{U < } / t_{U <<}$	$U_N = 100 \text{ V}$: 2...200 V (EXIT) $U_N = 230 \text{ V}$: 2...460 V (EXIT) $U_N = 400 \text{ V}$: 4...800 V (EXIT) 0.04...50 s (EXIT)	1 V 1 V 2 V 0.01; 0.02; 0.05; 0.1; 0.2; 0.5; 1.0; 2.0 s	$\pm 1\%$ of set value or $< 0.3\%$ U_N $\pm 1\%$ or +15 ms/-35 ms
$U > / >>$	$U > / >>$ $t_{U > } / t_{U >>}$	$U_N = 100 \text{ V}$: 2...200 V (EXIT) $U_N = 230 \text{ V}$: 2...460 V (EXIT) $U_N = 400 \text{ V}$: 4...800 V (EXIT) 0.04...50 s (EXIT)	1 V 1 V 2 V 0.01; 0.02; 0.05; 0.1; 0.2; 0.5; 1.0; 2.0 s	$\pm 1\%$ of set value or $< 0.3\%$ U_N $\pm 1\%$ or +15 ms/-35 ms

7.3.1 Interface parameter

Function	Parameter	Modbus-Protocol	RS485 Open Data Protocol
RS	Slave-Adresse	1 - 32	1 - 32
RS	Baud-Rate*	1200, 2400, 4800, 9600	9600 (fixed)
RS	Parity*	even, odd, no	„even Parity“ (fixed)

* only Modbus Protocol

7.3.2 Parameter for the fault recorder

Function	Parameter	Modbus-Protocol	RS485 Open Data Protocol
RS	Slave-Adresse	1 - 32	1 - 32
RS	Baud-Rate*	1200, 2400, 4800, 9600	9600 (fixed)
RS	Parity*	even, odd, no	„even Parity“ (fixed)

*is written over when a new trigger signal arrives

7.4 Output relays

	Trip relays/change-over contacts	Alarm relay/change-over contacts
MRU3	2/2	3/1

8. Order form

Mains decoupling relay		MRU3-			
Standard		1			
incl. measuring of the positive phase-sequence, negative phase-sequence and zero phase- sequence system component		2			
Rated voltage	100 V		1		
	230 V		2		
	400 V		4		
Housing (12TE)	19"-rack			A	
	Flash mounting			D	
RS 485	Alternatively with Modbus protocol				-M

Technical data subject to change without notice!

Setting list MRU3-1

Project: _____ SEG-Job.-no.: _____

Function group: = _____ Location: + _____ Relay code: - _____

Relay function: _____ Password: _____

Date: _____

All settings must be checked at site and should the occasion arise, adjusted to the object/item to be protected.

Setting of the parameters**System parameter**

Function		Unit	Default settings	Actual settings
$U_{\text{prim}}/U_{\text{sek}}$	Voltage transformer ratio		sek	
D/Y	Input voltage correction dependent on the connection of the input transformer		DELTA	
f_N	Rated frequency	Hz	$v = 50 \text{ Hz}$	
LED Flash	LED – Display of the activation storage		FLSH	
P2/FR	Parameter switch/external. triggering for the fault recorder		SET1	

Protection parameter

Function		Unit	Default settings Set 1/Set 2	Actual settings Set 1/Set 2
1/3	1-phase/3-phase tripping		$U_{<} > 1$	
$U_{<}$	Pickup value for under voltage element (low set)	V	90/210/360*	
$t_{U_{<}}$	Tripping delay for under voltage element	s	0.04	
$U_{<<}$	Pickup value for under voltage element (high set)	V	80/190/320*	
$t_{U_{<<}}$	Tripping delay for under voltage element	s	0.04	
$U_{>}$	Pickup value for overvoltage element (low set)	V	110/250/440*	
$t_{U_{>}}$	Tripping delay for overvoltage element	s	0.04	
$U_{>>}$	Pickup value for overvoltage element (high set)	V	120/270/480*	
$t_{U_{>>}}$	Tripping delay for overvoltage element	s	0.04	
RS	Slave address of the serial interface		1	
RS**	Baud-Rate		9600	
RS**	Parity-Check		even	

* thresholds dependent on rated voltage 100 V / 230 V / 400 V

Fault recorder

Function		Unit	Default settings	Actual settings
FR	Number of recordings		4	
FR	Saving of the recording at the occurrence		TRIP	
FR	Time prior to trigger impulse	s	0.05	
Clock	Year setting	year	Y=00	
Clock	Month setting	month	M=01	
Clock	Day setting	day	D=01	
Clock	Setting of the hour	hour	h=00	
Clock	Setting of the minute	minute	m=00	
Clock	Setting of the second	second	s=00	

Blocking function

Parameter set	Default settings				Actual settings			
	Blocking		Not blocking		Blocking		Not blocking	
	Set 1	Set 2	Set 1	Set 2	Set 1	Set 2	Set 1	Set 2
U<	X	X						
U<<	X	X						
U>			X	X				
U>>			X	X				

Assignment of the output relays

Function	Relay 1		Relay 2		Relay 3		Relay 4	
	Default settings	Actual settings	Default settings	Actual settings	Default settings	Actual settings	Default settings	Actual settings
U< alarm								
t _{U<} tripping					X			
U<< alarm								
t _{U<<} tripping							X	
U> alarm								
t _{U>} tripping	X							
U>> alarm								
t _{U>>} tripping			X					

Setting of code jumpers

Code jumper	J1		J2		J3	
	Default settings	Actual settings	Default settings	Actual settings	Default settings	Actual settings
Plugged						
Not plugged	X		No function		X	

Code jumper	Low/High-range for reset input		Low/High-range for blockage input	
	Default settings	Actual settings	Default settings	Actual settings
Low=plugged	X		X	
High=not plugged				

This technical manual is valid for
For software-Version number:

D06-7.01 (MRU3-1)
D07-8.01 (MRU3-2)

Modbus-version number:

D56-1.01 (MRU3-1-M)
D57-1.01 (MRU3-2-M)



AvK Generátory s.r.o.
ul. 4. května 175
755 01 Vsetín (Czech Republic)

Tel.: +420 571 413 322
<http://www.woodward-seg.cz>
info@woodward-seg.cz