



XRI1-IR – Digital multifunctional relay for time overcurrent protection

(October 2003)

Manual XRI1-IR (Revision New)

Woodward Governor Company reserves the right to update any portion of this publication at any time. Information provided by Woodward Governor Company is believed to be correct and reliable. However, no responsibility is assumed by Woodward Governor Company unless otherwise expressly undertaken.

© Woodward 1994-2008

Contents

1.	Introduction and application	5
2.	Features and characteristics.....	6
3.	Design	7
3.1	Connections	7
3.1.1	Analog input circuits	7
3.1.2	Blocking input.....	7
3.1.3	External reset input	7
3.1.4	Output relays (default settings)	8
3.1.5	Data communication	9
3.2	Front plate.....	10
3.2.1	Indication and operation elements	10
3.2.2	Display	11
3.2.3	LEDs	12
3.2.4	Parameter settings (see chapter 6).....	12
4.	Working principle	13
4.1	Analog circuits.....	13
4.2	Digital circuits.....	13
4.3	Directional feature	14
4.4	Requirements on the main current transformers.....	15
5.	General operations and settings	16
5.1	Push buttons	16
5.1.1	Indication of measuring values and fault data	17
5.2	Dip switches	18
5.2.1	Function of the output relays	18
5.3	Reset.....	19
5.4	Password	19
5.4.1	Password programming	19
5.4.2	Using the password.....	19
5.5	Relay setting principle	20
5.5.1	Setting of default parameters	20
5.5.2	Blocking the protection function	20
5.6	Display of software version and test-TRIP	21
5.7	Low/high range of functions blocking and reset	21
6.	Operations and settings	22
6.1	Setting procedure.....	22
6.1.1	Pickup current for phase overcurrent element ($I>$).....	22
6.1.2	Time current characteristics for phase overcurrent element (CHAR $I>$).....	22
6.1.3	Trip delay or time multiplier for phase overcurrent element ($tI>$).....	22
6.1.4	Reset setting for inverse time tripping characteristics in the phase current path	23
6.1.5	Current setting for high set element ($I>>$).....	23
6.1.6	Trip delay for high set element ($tI>>$)	23
6.1.7	Relay characteristic angle RCA.....	24
6.1.8	Nominal frequency	24
6.1.9	Adjustment of the slave address	24
6.1.10	Circuit breaker failure protection t_{CBFP}	24
6.1.11	Display of the activation storage (FLSH/NOFL)	24
6.1.12	Blocking the protection functions and assignment of the output relays	25
6.2	Setting value calculation	26
6.2.1	Definite time overcurrent element	26
6.2.2	Inverse time overcurrent element.....	27
6.3	Indication of measuring and fault values	27
6.3.1	Measuring values	27
6.3.2	Indication of fault data	27
6.3.3	Fault recorder.....	28
6.4	Reset.....	29

7.	Relay testing and commissioning	30
7.1	Power-On	30
7.2	Testing the output relays and LEDs	30
7.3	Checking the set values	30
7.4	Secondary injection test	31
7.4.1	Test equipment.....	31
7.4.2	Test circuit of XRI1-IR	31
7.4.3	Checking the input circuits and measured values	33
7.4.4	Checking the operating and resetting values of the relay.....	33
7.4.5	Checking the relay operating time	33
7.4.6	Checking the high set element of the relay.....	33
7.4.7	Checking the external blocking and reset functions	34
7.4.8	Test of the CB failure protection	34
7.5	Primary injection test	35
7.6	Maintenance.....	35
8.	Technical data	36
8.1	Measuring input circuits.....	36
8.2	Common data	36
8.3	Setting ranges and steps.....	37
8.3.1	Time overcurrent protection.....	37
8.3.2	Switch failure protection	37
8.3.3	Interface parameter	37
8.3.4	Inverse time overcurrent protection relay	37
8.3.5	Direction unit for phase overcurrent relay.....	38
8.4	Inverse time characteristics	39
8.5	Output relays	41
8.6	Power supply	41
8.7	Inputs, Blockage and Reset.....	41
8.8	System data and test specifications	42
8.9	Relay case.....	43
9.	Order form.....	44

1. Introduction and application

The digital relay type XRI1-IR as time overcurrent protection is designed for the use in electrical machines, lines and grids.

The protective functions of XRI1-IR which are implemented in only one device are summarized as follows:

- Independent (Definite) time overcurrent relay.
- Inverse time overcurrent relay with selectable characteristics.
- Integrated determination of fault direction for application to doubly infeed lines or meshed systems.

Furthermore, the relay XRI1-IR can be employed as a back-up protection for distance and differential protective relays.

2. Features and characteristics

- Digital filtering of the measured values by using discrete Fourier analysis to suppress the high frequency harmonics and DC components induced by faults or system operations
- Selectable protective functions between:
 - definite time overcurrent relay and
 - inverse time overcurrent relay
- Selectable inverse time characteristics according to BS 142 and IEC 255-4:
 - Normal Inverse (type A)
 - Very Inverse (type B)
 - Extremely Inverse (type C)
- Reset setting for inverse time characteristics selectable
- High set overcurrent unit with instantaneous or de-finite time function.
- Two-element (low and high set) overcurrent relay both for phase and earth faults.
- Directional feature for application to the doubly in-fed lines or meshed systems.
- Numerical display of setting values, actual measured values and their active, reactive components, memorized fault data, etc.
- Blocking e.g. of high set element (e.g. for selective fault detection through minor overcurrent protection units after unsuccessful AR).
- Relay characteristic angle for phase current directional feature selectable
- Switch failure protection
- Storage of tripping values and shut-down times of eight failure events
- Free assignment of output relays
- Serial data exchange via RS485 interface possible with SEG RS485-Pro Open Data Protocol
- Suppression of indication after an activation (LED flash)

3. Design

3.1 Connections

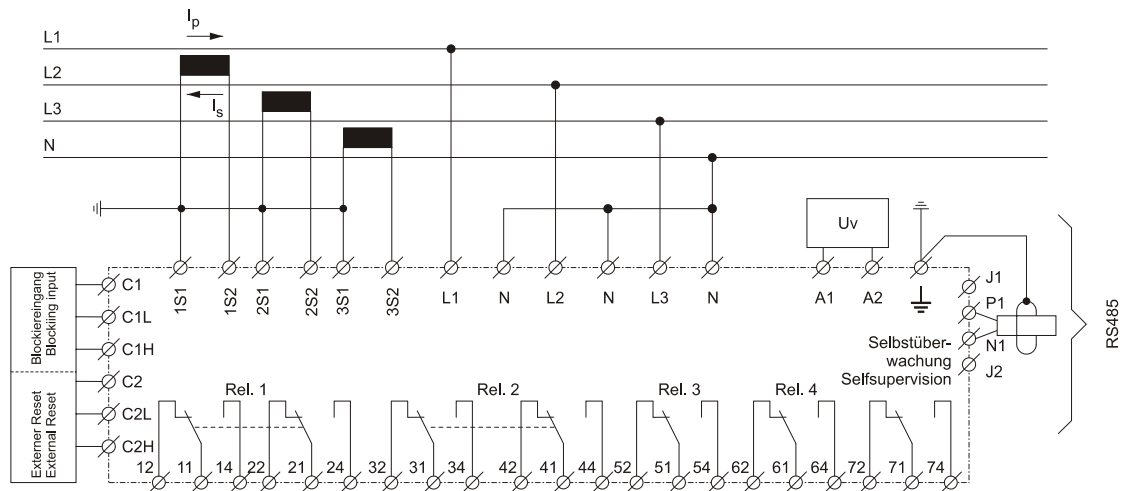


Figure 3.1: Connection diagram XRI1-IR

3.1.1 Analog input circuits

The protection unit receives the analog input signals of the phase currents I_{L1} (1S1-1S2), I_{L2} (2S1-2S2), I_{L3} (3S1-3S2), phase voltages U_1 (L1-N1), U_2 (L2-N2), U_3 (L3-N3) each via separate input transformers. The N1, N2 and N3 are bridged externally. The constantly detected current measuring values are galvanically decoupled, filtered and finally fed to the analog/digital converter.

3.1.2 Blocking input

The blocking functions adjusted before will be blocked if an auxiliary voltage is connected to (terminals) C1/C1L or C1/C1H. (See chapter 6.2.12)

3.1.3 External reset input

By applying the aux. voltage C2/C2L or C2/C2H, indication and output relays are reset. (see chapter 6.4)

3.1.4 Output relays (default settings)

The XRI1-IR is equipped with 5 output relays. Apart from the relay for self-supervision, one relay with 2 changeover contacts for signaling, all protective functions can be optionally assigned:

- Output relays 1;
11, 12, 14 and 21, 22, 24
- Signal overcurrent (I>);
31, 32, 34 und 41, 42, 44
- Signal „Short Circuit Tripping“ (I>>)
51, 52, 54
- Aux. Relays
61, 62, 64
- Signal self-supervision
71, 72, 74

All trip and alarm relays are working current relays, the relay for self supervision is an idle current relay.

See connection diagram relay outputs.

Except the self-supervision, all relays can be assigned to different functions. (see 6.1.12).

3.1.5 Data communication

For data communication with a central control system the XRI1-IR relay is provided with a serial interface RS485. Simplified and fast reading and changing of parameters and measuring values can be achieved by HTL/PL-Soft3, which will be provided on request together with the relay.

The XRI1-IR can be connected to other units of PROFESSIONAL LINE via interface. If there is more than 1 relay in the system, the last relay of the chain has to be provided with a resistor line termination.

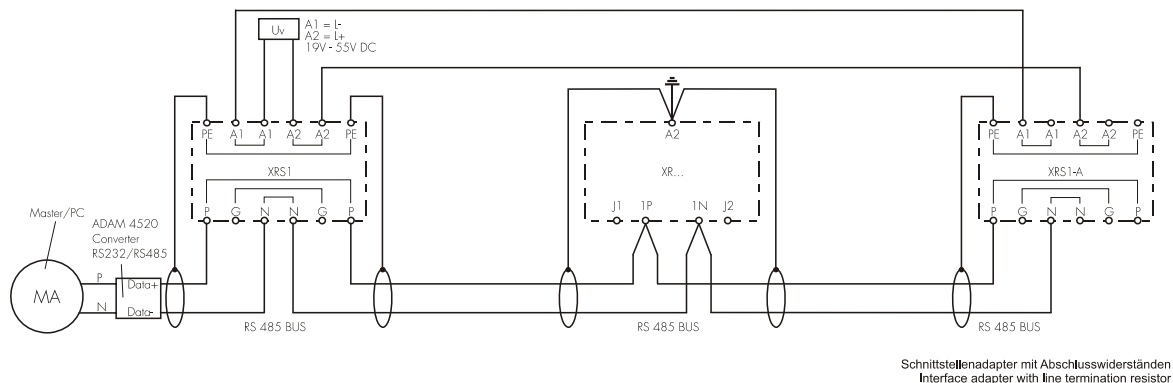


Figure 3.2: Connection example with 3 users XR ... as linked device

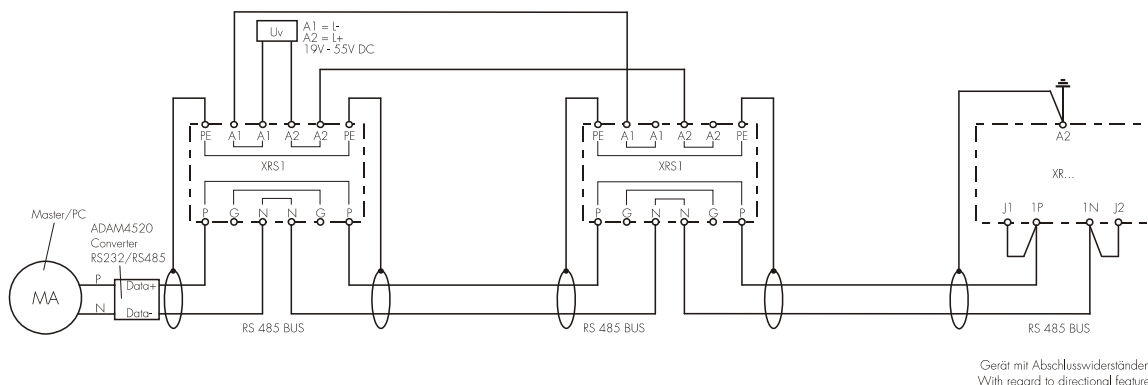


Figure 3.3: Connection example with 3 users, XR ... as last device

3.2 Front plate

3.2.1 Indication and operation elements

The front plate of protection relays comprises the following operation and indication elements:

- Alphanumerical display (4 Digits)
- Push buttons for setting and other operations
- LEDs for measured value indication and setting

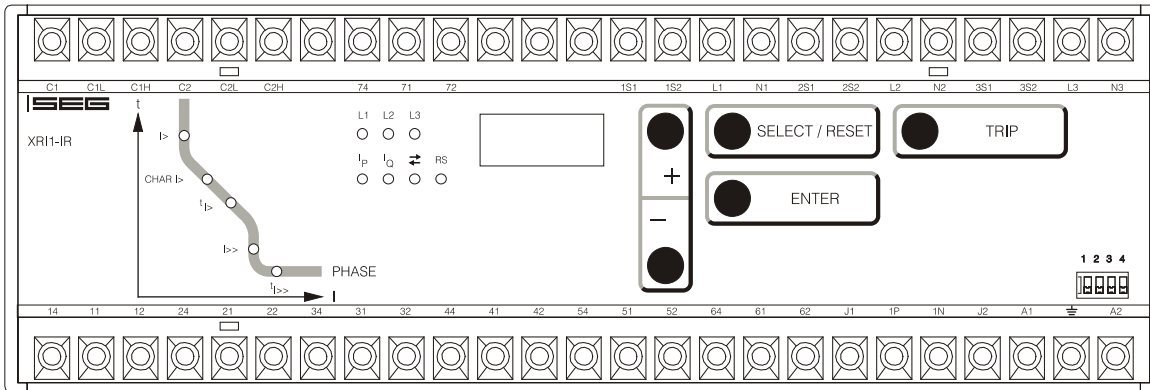


Figure 3.4: Front plate XRI1-IR

3.2.2 Display

Function	Display shows	Pressed push button	Corresponding LED
Normal operation	SEG		
Measured operating values	Actual measured values,	<SELECT/RESET> one time for each	L1, L2, L3 I _P /I _Q with regard to directional feature
Measuring range overflow	max.	<SELECT/RESET>	L1, L2, L3
Setting values: phase (I>; CHAR I>; t ₁ >; I>>; t ₁ >>)	Current settings Trip delay Charac- teristics	<SELECT/RESET> one time for each parameter	I >; CHAR I>; t ₁ >; I>>; t ₁ >>; LED →←
Reset setting (only available at inverse time characteristics)	0s / 60s	<SELECT/RESET><+><->	I>; CHAR I>; tI>
Relay characteristic angle for phase current directional feature	RCA in degree (°)	<SELECT/RESET><+><->	LED →← (green)
Warning reverse direction no warning warning	NOWA WBAK	<SELECT/RESET><+><->	LED →← (red) + I>
Switch failure protection	t _{CBFP}	<SELECT/RESET><+><->	
Tripping protection switch failure protection	CBFP	After fault tripping	
Nominal frequency	f=50 / f=60	<SELECT/RESET><+><->	
Switch-over LED flash No LED flash	FLSH NOFL	<SELECT/RESET><+><->	
Blocking of function	EXIT	<+> until max. setting value	LED of blocked parameter
Slave address of serial interface	1 - 32	<SELECT/RESET><+><->	RS
Recorded fault data	Tripping currents and other fault data	<SELECT/RESET> one time for each phase	L1, L2, L3, E I>, I>>, I _E >, I _E >>, U _E >
Save parameter?	SAV?	<ENTER>	
Delete failure memory	wait	<-><SELECT/RESET>	
Enquiry failure memory	FLT1; FLT2.....	<-><+>	L1, L2, L3, E I>, I>>, I _E >, I _E >>,
Save parameter!	SAV!	<ENTER> for about 3 s	
Software version	First part (e.g. D01-) Sec. part (e.g. 8.00)	<TRIP> one time for each part	
Manual trip	TRI?	<TRIP> three times	
Inquire password	PSW?	<TRIP><ENTER>	
Relay tripped	TRIP	<TRIP> or after fault tripping	
Secret password input	XXXX	<SELECT/RESET><+><-> <ENTER>	
System reset	SEG	<SELECT/RESET> for about 3 s	

Table 3.1: Possible indication messages on the display

3.2.3 LEDs

The LEDs left from the display, L1, L2, L3, are partially bi-colored, the green indicating measuring, and the red fault indication.

XRI1-IR with directional feature have a LED (green- and red arrow) for the directional display. At pickup/trip and parameter setting the green LED lights up to indicate the forward direction, the red LED indicates the reverse direction.

The LED marked with letters RS lights up during setting of the slave address of the device for serial data communication.

The LEDs arranged at the characteristic points on the setting curves support the comfortable setting menu selection. In accordance with the display 5 LEDs for phase fault overcurrent indicate the corresponding menu point selected.

3.2.4 Parameter settings (see chapter 6)

Relay-type XRI1-IR
I>
CHAR I>
t _{I>}
0s/60s 1)
I>>
t _{I>>}
RCA
t _{CBFP}
50/60 Hz
LED-Flash
RS485/Slave address

Table 3.2: Parameter values

¹⁾ Reset setting for inverse time characteristics in phase current path

Additional parameters:

Relay-type XRI1-IR
Blocking mode
Relay parameterizing
Fault recorder

Table 3.3

4. Working principle

4.1 Analog circuits

The incoming currents from the main current transformers on the protected object are converted to voltage signals in proportion to the currents via the input transformers and burden. The noise signals caused by inductive and capacitive coupling are suppressed by an analog R-C filter circuit. The analog voltage signals are fed to the A/D-converter of the microprocessor and transformed to digital signals through Sample- and Hold-circuits. The analog signals are sampled at 50 Hz (60 Hz) with a sampling frequency of 800 Hz (960 Hz), namely, a sampling rate of 1.25 ms (1.04 ms) for every measuring quantity. (16 scans per period).

4.2 Digital circuits

The essential part of the XRI1-IR relay is a powerful microcontroller. All of the operations, from the analog digital conversion to the relay trip decision, are carried out by the microcontroller digitally. The relay program is located in an EPROM (Electrically-Programmable-Read-Only-Memory). With this program the CPU of the microcontroller calculates the three phase currents and ground current in order to detect a possible fault situation in the protected object. For the calculation of the current value an efficient digital filter based on the Fourier Transformation (DFFT - Discrete Fast Fourier Transformation) is applied to suppress high frequency harmonics and DC components caused by fault-induced transients or other system disturbances.

The calculated actual current values are compared with the relay settings. If a phase current exceeds the pickup value, an alarm is given and after the set trip delay has elapsed, the corresponding trip relay is activated.

The relay setting values for all parameters are stored in a parameter memory (EEPROM - Electrically Erasable Programmable Read-only Memory), so that the actual relay settings cannot be lost, even if the power supply is interrupted.

The microprocessor is supervised by a built-in "watch-dog" timer. In case of a failure the watchdog timer re-sets the microprocessor and gives an alarm signal, via the output relay "self supervision".

4.3 Directional feature

A built-in directional element in XRI1-IR is available for application to doubly infeeded lines or to ring networks.

The measuring principle for determining the direction is based on phase angle measurement and therefore also on coincidence time measurement between current and voltage. Since the necessary phase voltage for determining the direction is frequently not available in the event of a fault, whichever line-to-line voltage follows the faulty phase by 90° is used as the reference voltage for the phase current. The characteristic angle at which the greatest measuring sensitivity is achieved can be set to precede the reference voltage in the range from 15° to 83° .

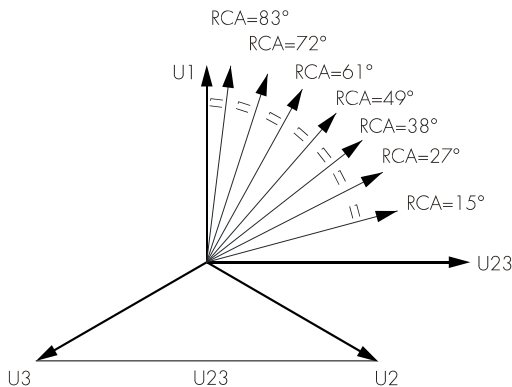


Figure 4.1: Relay characteristic angle

The TRIP region of the directional element is determined by rotating the phasor on the maximum sensitivity angle for $\pm 90^\circ$, so that a reliable direction decision can be achieved in all faulty cases.

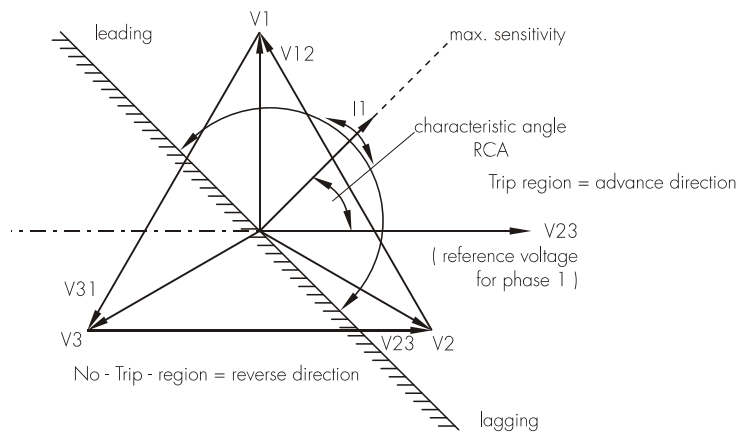


Figure 4.2: TRIP/NO-TRIP region for directional element in XRI1-IR. In this case the advance direction is defined as TRIP region and the reverse direction as NO-TRIP region.

By means of accurate hardware design and by using an efficient directional algorithm a high sensitivity for the voltage sensing circuit and a high accuracy for phase angle measurement are achieved so that a correct directional decision can be made even by close three-phase faults.

As an addition, to avoid mal-operations due to disturbances, at least 2 periods (40 ms at 50 Hz) are evaluated.

For the MRI1-overcurrent relays with directional feature different time delays or time multipliers can be set for forward and backward faults (ref. to chapter 6.1.3 and 6.1.6).

If the trip delay for backward faults is set longer than the one for forward faults, the protective relay works as a "backup"-relay for the other lines on the same busbar. This means that the relay can clear a fault in the backward direction with a longer time delay in case of refusal of the relay or the circuit breaker on the faulted line.

If the trip delay for backward faults is set out of range (on the display "EXIT"), the relay will not trip in case of backward faults.

4.4 Requirements on the main current transformers

The current transformers have to be rated in such a way, that a saturation should not occur within the following operating current ranges:

Independent time overcurrent function: $K1 = 2$
Inverse time overcurrent function: $K1 = 20$
High-set function: $K1 = 1.2 - 1.5$

$K1$ = Current factor related to set value, at which the C.T. is not yet saturated

Moreover, the current transformers have to be rated according to the maximum expected short circuit current in the network or in the protected objects.

The low power consumption in the current circuit of XRI1-IR, namely <0.2 VA, has a positive effect on the selection of current transformers. It implies that, if an electromechanical relay is replaced by XRI1-IR, a high accuracy limit factor is automatically obtained by using the same current transformer.

5. General operations and settings

For adjustment of the unit the transparent cover has to be opened as illustrated. Do not use force! The transparent cover has two inserts for labels.

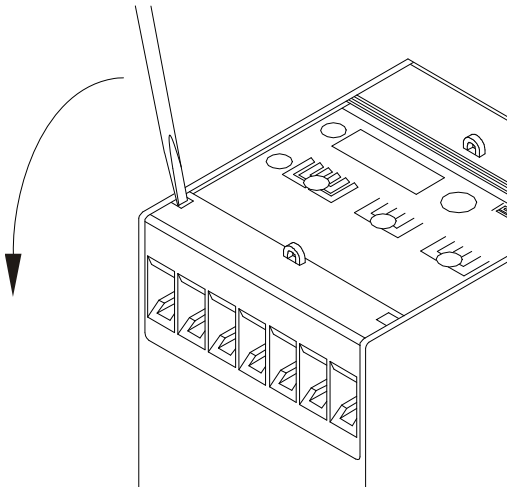


Figure 5.1: How to open the transparent cover

5.1 Push buttons

Push buttons are used for calling up the parameters to be processed, for selection of measuring parameters to be indicated and for changing and storing the parameters.

The individual setting and measuring values can be selected one after another by pressing push button <SELECT/RESET>. This push button is also used for re-setting the display by pressing approx. 3s.

As for an individual case (relay version D) the push button can also be operated when the front cover of the relay is closed and sealed with lead.

Push buttons <+> <-> are used for in-/decrementing of the parameter indicated on the display. They can be pressed step-by-step or continuously.

After the selected parameter is set by the <+> <-> push button it may be stored using the <ENTER> push button.

Through the push button <ENTER> the set value indicated on the display will be transferred to the internal parameter memory. An unintended or unauthorized change of the selected parameter is avoided by means of a password identification (see 5.4.2).

The <TRIP>-push button is used to test the output relay circuits both for tripping and signalling. During normal operation it is also interlocked by means of the pass-word identification.

5.1.1 Indication of measuring values and fault data

Indication in faultless condition

In normal operation the display always shows |SEG. After pressing the push button <SELECT/RESET> the display switches cyclically to the next measuring value. After the measuring values had been indicated the setting parameters are displayed. Hereby the LEDs in the upper section signalize which measured value is indicated, the LEDs in the lower section signalize which setting parameter is indicated on the display. Longer actuating the push button resets the relay and the display changes into normal operation (|SEG).

Indication after pickup/tripping

All of the faults detected by the relay are indicated on the front plate optically. Here not only the faults are indicated but also the faulty phase(s) and the protection function in operation. At pickup the LEDs are flashing, after tripping this changes to continuous light.

In tripped condition "TRIP" appears on the display and the LEDs of the operating measuring data light up red together with the LEDs of the tripping parameter. All operating data, which were measured at the moment of tripping, can now be called one after another by pressing push button <SELECT/RESET>. If in this condition setting parameters are to be indicated, push button <ENTER> has to be pressed.

The graphic below shows again the difference between the different display modes.

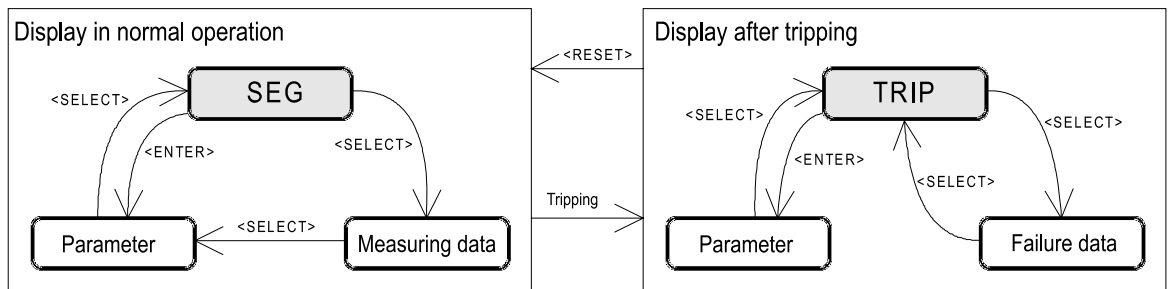


Figure 5.2: Switching over of the display in dependence of the operating mode

5.2 Dip switches

Behind the front plate of the XRI-IR relay there is one dip switch to preset the following functions:

- Password programming
- Output relay functions

The following table 5.1 shows the position and designation of the code jumpers:

5.2.1 Function of the output relays

The alarm relays are activated according to the preset-ting:

Dip switch 3 OFF:

All output relays will be reset automatically after the fault has been cleared, (e.g. when the fault current is interrupted).

Dip switch 3 ON:

All output relays remains activated and must be reset after fault clearance.

- Manually: By pressing push button <SELECT/RESET>
- External: By connecting aux. voltage to C2/C2L or C2/C2H
- Via RS 485 interface

To let the parameter change take effect, the auxiliary voltage has to be switched on and off again after the dip switches are plugged or unplugged.

Dip switches	Function	Code jumper position	Operation mode
1	Password	OFF	Normal position
		ON	Password selection
2	none		
3	Reset	OFF	Output relays will be reset automatically
		ON	Output relays will be reset manual/external/via software
4	none		

Table 5.1: Summary of coding possibilities

5.3 Reset

Manual reset

By pressing push button <RESET/SELECT> for some time (about 3 s).

External reset-input C2/C2L or C2/C2H

The external reset input has the same function as the <SELECT/RESET> push button on the front plate. Connecting auxiliary voltage to this input, the unit can be reset, provided that the fault is removed.

Software reset via serial interface RS 485

Software reset has the same function as push button <SELECT/RESET>. Please refer to open data protocol of RS 485 interface named RS485-PRO.

5.4 Password

5.4.1 Password programming

The XRI1-IR-relay is delivered with the preset password "++++", it can be programmed new with dip switch 1:

Switch on dip switch 1. After power on and pressing any push button, the relay XRI1-IR inquires for a new password. The text "PSW?" appears on the display. The new password is entered by any combination of the push buttons <SELECT> <-> <+> <ENTER>. After the new password is given, the dip switch 1 must be switched off.

5.4.2 Using the password

Step by step, a new relay setting is made according to the following sequence:

- After the present setting value is changed with <+><-> push button, <ENTER> push button should be pressed.
- A message "SAV?" appears on the display to inquire if the new setting value is really wanted to be stored.
- After pressing the <ENTER> push button again, the password will be inquired by means of the message "PSW?" on the display.
- After the password is given correctly, which is prompted by message "SAV!" on the display, the new setting value can be stored by pressing the <ENTER> push button for about 3 seconds.
- The new setting value for the selected parameter appears on the display again.

A password consists of four push button operations. The pressed push buttons and their sequences define the password.

<SELECT/RESET>	=	S
<->	=	-
<+>	=	+
<ENTER>	=	E

then a password "-E+S" means pressing push buttons according to the following sequence:
<-> <ENTER> <+> <SELECT/RESET>

After the password is given correctly, parameter setting is permitted for five minutes. This means: For a subsequent parameter setting, as long as it is made within five minutes after the password input, a renewed password input is not required. Moreover, the valid period for parameter setting is automatically extended to further 5 minutes after each new push button operation.

If no push button operation follows within the five minute period after password input, the validity for parameter setting will be suspended.

For entering further parameters the password is then called up again. During the validity for parameter setting a new set value, after having acknowledged "SAV" two times, is stored by just pressing push button <ENTER> for some time.

As to parameter setting via RS 485 interface: see open data protocol.

5.5 Relay setting principle

By pressing push button <ENTER>, the parameter menu can be called up. By pressing push button <SELECT/RESET> the parameter to be set is reached. The corresponding LED lights up. The actual set value of the selected parameter is indicated on the display. The indicated set value can then be changed by pressing push buttons <+><-> (in-/decrementing) see figure 5.2).

The selected set value is stored by pressing push button <ENTER> and by input of the authority code (password) which means the adjustment of the unit is only possible after the password had been put in. (see 5.4.2)

After a trip the push button <SELECT/RESET> is re-served for the indication of fault data. Now new parameter setting by means of push button <SELECT/RESET> is only possible by pressing <ENTER> first.

5.5.1 Setting of default parameters

Setting of the XRI1-IR default parameters can be done as follows:

- switch off the auxiliary voltage supply
- press simultaneously push buttons <+><-> and <SELECT/RESET> and
- switch on the auxiliary voltage supply again.

5.5.2 Blocking the protection function

The blocking function of the XRI1-IR-relays can be set according to requirement. When pressing push buttons <ENTER> and <TRIP> at the same time the blocking mode is entered.

5.6 Display of software version and test-TRIP

By pressing push button <TRIP> the first part of the software version is displayed, the second part appears when this push button is pressed again. When push button <TRIP> is pressed repeatedly, the test trip routine starts.

By entering the password the display shows "TRI?". After pressing <TRIP> again all output relays will be energized one after the other with a time delay of 1 s.

All relays stay energized until manual reset. The protection functions are not affected.

5.7 Low/high range of functions blocking and reset

All relays of the HIGH TECH LINE have a wide-range power supply unit allowing to choose a suitable supply voltage. The operating threshold of the blocking and reset inputs, however, has to be defined by taking the supply voltage into account. The following two different operating thresholds can be adjusted:

- Low-range threshold $U_{ON} \geq 10 \text{ V}$; $U_{OFF} \leq 8 \text{ V}$
- High-range threshold $U_{ON} \geq 70 \text{ V}$; $U_{OFF} \leq 60 \text{ V}$

Connection terminals

- Low-range blockage input terminal C1/C1L
- Low-range reset input terminal C2/C2L
- High-range blockage input terminal C1/C1H
- High-range reset input terminal C2/C2H

6. Operations and settings

6.1 Setting procedure

After push button <SELECT/RESET> has been pressed, always the next measuring value is indicated. Firstly the operating measuring values are indicated and then the setting parameters. By pressing the <ENTER> push button the setting values can directly be called up and changed.

6.1.1 Pickup current for phase overcurrent element (I>)

The setting value for this parameter that appears on the display is related to the nominal current (IN) of the relay. This means: pickup current (Is) = displayed value x nominal current (IN) e.g. displayed value = 1.25 then, Is = 1.25 x IN.

6.1.2 Time current characteristics for phase overcurrent element (CHAR I>)

By setting this parameter, one of the following 4 messages appears on the display:

DEFT	-	Definite Time
NINV	-	Normal Inverse (type A)
VINV	-	Very Inverse (type B)
EINV	-	Extremely Inverse (type C)

Anyone of these four characteristics can be chosen by using <+> <-> push buttons, and can be stored by using <ENTER> push button.

6.1.3 Trip delay or time multiplier for phase overcurrent element (tl>)

Usually, after the characteristic is changed, the time delay or the time multiplier should be changed accordingly. In order to avoid an unsuitable arrangement of relay modes due to carelessness of the operator, the following precautions are taken:

After the characteristic setting, the setting process turns to the time delay setting automatically. The LED tl> is going to flash yellow to remind the operator to change the time delay setting accordingly. After pressing the <SELECT> push button, the present time delay setting value is shown on the display. The new setting value can then be changed by using <+> <-> push buttons.

If, through a new setting, another relay characteristic other than the old one has been chosen (e.g. from DEFT to NINV), but the time delay setting has not been changed despite the warning from the flashing LED, the relay will be set to the most sensitive time setting value of the selected characteristics after five minutes warning of flashing LED tl>. The most sensitive time setting value means the fastest tripping for the selected relay characteristic. When the time delay or the time multiplier is set out of range (Text "EXIT" appears on the display), the low set element of the overcurrent relay is blocked. The "WARN"-relay will not be blocked.

For the XRI1-IR-version with directional feature, the different trip time delays or the time multipliers can be chosen for forward and backward faults.

By setting the trip delay, the actual set value for forward faults appears on the display first and the LED under the arrows is alight green. It can be changed with push button <+> <-> and then stored with push button <ENTER>. After that, the actual trip delay (or time multiplier) for backward faults appears on the display by pressing push button <SELECT> and the LED under the arrows is alight red.

Usually this set value should be set longer than the one for forward faults, so that the relay obtains its selectivity during forward faults. If the time delays are set equally for both forward and backward faults, the relay trips in both cases with the same time delay, namely without directional feature.

Note:

When selecting dependent tripping characteristics at relays with directional phase current detection, attention must be paid that a clear directional detection will be assured only after expiry of 40 ms.

6.1.4 Reset setting for inverse time tripping characteristics in the phase current path

To ensure tripping, even with recurring fault pulses shorter than the set trip delay, the reset mode for in-verse time tripping characteristics can be switched over. If the adjustment t_{RST} is set at 60s, the tripping time is only reset after 60s faultless condition. This function is not available if t_{RST} is set to 0. With fault current cease the trip delay is reset immediately and started again at recurring fault current.

6.1.5 Current setting for high set element (I>>)

The current setting value of this parameter appearing on the display is related to the nominal current of the relay.

This means: I>> = displayed value x I_N .

When the current setting for high set element is set out of range (on display appears "EXIT"), the high set element of the overcurrent relay is blocked.

The high set element can be blocked via terminals C1/C1L or C1/C1H if the corresponding blocking parameter is set to bloc (refer to chapter 6.1.12).

6.1.6 Trip delay for high set element (tl>>)

Independent from the chosen tripping characteristic for I>, the high set element I>> has always a definite-time tripping characteristic. An indication value in seconds appears on the display.

The setting procedure for forward or backward faults, described in chapter 6.1.3, is also valid for the tripping time of the high set element.

6.1.7 Relay characteristic angle RCA

The characteristic angle for directional feature in the phase current path can be set by parameter RCA to 15°, 27°, 38°, 49°, 61°, 72° or 83°, leading to the respective reference voltage (see chapter 4.3).

6.1.8 Nominal frequency

The adapted FFT-algorithm requires the nominal frequency as a parameter for correct digital sampling and filtering of the input currents.

By pressing <SELECT> the display shows "f=50" or "f=60". The desired nominal frequency can be adjusted by <+> or <-> and then stored with <ENTER>.

6.1.9 Adjustment of the slave address

Pressing push buttons <+> and <-> the slave address can be set in range of 1-32.

6.1.10 Circuit breaker failure protection t_{CBFP}

The CB failure protection is based on supervision of phase currents during tripping events. Only after tripping this protective function becomes active. The test criterion is whether all phase currents are dropped to $<1\% \times I_N$ within the time t_{CBFP} (Circuit Breaker Failure Protection, adjustable between 0.1 - 1.6s). If not all of the phase currents have dropped to $<1\% \times I_N$ within this time, CB failure is detected and the related relay activated. The CB failure protection function is deactivated again as soon as the phase currents have dropped to $<1\% \times I_N$ within t_{CBFP} .

6.1.11 Display of the activation storage (FLSH/NOFL)

If after an activation the existing current drops again below the pickup value, e.g. I_p , without a trip has been initiated, LED I_p signals that an activation has occurred by flashing fast. The LED keeps flashing until it is reset again (push button <RESET>). Flashing can be suppressed when the parameter is set to NOFL.

6.1.12 Blocking the protection functions and assignment of the output relays

Blocking the protection functions:

The blocking function of the XRI1-IR can be set according to requirement. By applying the aux. voltage to D8/E8, the functions chosen by the user are blocked. Setting of the parameter should be done as follows:

- When pressing push buttons <ENTER> and <TRIP> at the same time, message "BLOC" is displayed (i.e. the respective function is blocked) or "NO_B" (i.e. the respective function is not blocked). The LED allocated to the first protection function I> lights red.
- By pressing push buttons <+> <-> the value displayed can be changed.
- The changed value is stored by pressing <ENTER> and entering the password.
- By pressing the <SELECT/RESET> push button, any further protection function which can be blocked is displayed.
- Thereafter the blocking menu is left by pressing <SELECT/RESET> again.

Function		Display	LED/Colour
I>	Overcurrent (Low set)	NO_B	I> yellow
I>>	Overcurrent (High set)	BLOC	I>> yellow
t _{CBFP}	Circuit breaker failure protection	NO_B	

Table 6.1: Default settings of blocking functions

Assignment of the output relays:

Unit XRI1-IR has five output relays. The fifth output relay is provided as permanent alarm relay for self supervision is normally on. Output relays 1 - 4 are normally off and can be assigned as alarm or tripping relays to the current functions which can either be done by using the push buttons on the front plate or via serial interface RS485. The assignment of the output relays is similar to the setting of parameters, however, only in the assignment mode. The assignment mode can be reached only via the blocking mode.

By pressing push button <SELECT/RESET> in blocking mode again, the assignment mode is selected.

The relays are assigned as follows: LEDs I>, I>>, IE>, IE>> are two-colored and light up green when the output relays are assigned as alarm relays and red as tripping relays. In addition, the LED □□ also lights up with each adjustment. Green means forward and red backward direction.

Definition:

Alarm relays are activated at pickup.

Tripping relays are only activated after elapse of the tripping delay.

After the assignment mode has been activated, first LED I> lights up green. Now one or several of the four output relays can be assigned to current element I> as alarm relays. At the same time the selected alarm relays for frequency element 1 are indicated on the display. Indication "1_ _ _" means that output relay 1 is assigned to this current element. When the display shows " _ _ _ _", no alarm relay is assigned to this current element. The assignment of output relays 1 - 4 to the current elements can be changed by pressing <+> and <-> push buttons. The selected assignment can be stored by pressing push button <ENTER> and subsequent input of the password. By pressing push button <SELECT/RESET>, LED I> lights up red. The output relays can now be assigned to this current element as tripping relays.

Relays 1 - 4 are selected in the same way as described before. By repeatedly pressing of the <SELECT/RESET> push button and assignment of the relays all elements can be assigned separately to the relays. The assignment mode can be terminated at any time by pressing the <SELECT/RESET> push button for some time (abt. 3 s).

Note:

- A form is attached to this description where the set-ting requested by the customer can be filled-in. This form is prepared for telefax transmission and can be used for your own reference as well as for telephone queries.

Relay function	Output relays				Display-indication	Lighted LED
	1	2	3	4		
I> (V) alarm		X			_ 2 _ _	I>; →← green
tI> (V) tripping	X				1 _ _ _	t _{I>} ; →← green
I>> (R) alarm		X			_ 2 _ _	I>>; →← red
tI>> (R) tripping	X				1 _ _ _	t _{I>>} ; →← red
I>> (V)IE> alarm			X		_ 2 _ _	I _{IE>} ; →← green
tI>> (V) tripping	X				1 _ _ _	t _{I_{IE>}} ; →← green
I>> (R)IE>> alarm			X		_ 2 _ _	I _{IE>>} ; →← red
tI>> (R) tripping	X				1 _ _ _	t _{I_{IE>>}} ; →← red

Table 6.2: Example of assignment matrix of the output relay (default settings).

(V) = forward direction;
(R) = backward direction

This way, a tripping relay can be set for each activation and tripping direction.

6.2 Setting value calculation

6.2.1 Definite time overcurrent element

Low set element I>

The pickup current setting is determined by the load capacity of the protected object and by the smallest fault current within the operating range. The pickup current is usually selected about 20% for power lines, about 50% for transformers and motors above the maximum expected load currents.

The delay of the trip signal is selected with consideration to the demand on the selectivity according to system time grading and overload capacity of the protected object.

High set element I>>

The high set element is normally set to act for near-by faults. A very good protective reach can be achieved if the impedance of the protected object results in a well-defined fault current. In case of a line-transformer combination the setting values of the high set element can even be set for the fault inside the transformer.

The time delay for high set element is always independent to the fault current.

6.2.2 Inverse time overcurrent element

Beside the selection of the time current characteristic one set value each for the phase current path and earth current path is adjusted.

Low set element I>

The pickup current is determined according to the maximum expected load current. For example:

Current transformer ratio: 400/5A

Maximum expected load current: 300A

Overload coefficient: 1.2 (assumed)

Starting current setting:

$$I_s = (300/400) \times 1.2 = 0.9 \times I_N$$

Time multiplier setting

The time multiplier setting for inverse time overcurrent is a scale factor for the selected characteristics. The characteristics for two adjacent relays should have a time interval of about 0.3 - 0.4 s.

High set element I>>

The high set current setting is set as a multiplier of the nominal current. The time delay tI>> is always independent to the fault current.

6.3 Indication of measuring and fault values

6.3.1 Measuring values

The following measuring quantities can be indicated on the display during normal service:

- Apparent current in phase 1 (LED L1 green)
- Active current in Phase 1 (LED L1 and IP yellow)
- Reactive current in Phase 1 (LED L1 and IQ yellow)
- Apparent current in phase 2 (LED L2 green)
- Active current in Phase 2 (LED L2 and IP yellow)
- Reactive current in Phase 2 (LED L2 and IQ yellow)
- Apparent current in phase 3 (LED L3 green)
- Active current in Phase 3 (LED L3 and IP yellow)
- Reactive current in Phase 3 (LED L3 and IQ yellow)

6.3.2 Indication of fault data

All faults detected by the relay are indicated on the front plate optically. For this purpose, the four LEDs (L1, L2, L3, E) and the four function LEDs (I>, I>>, IE>, IE>> und →←) are equipped at XRI1-IR. If, for example an overcurrent occurs, first the LEDs of the corresponding phases will light up. LED I> lights up at the same time. After tripping the LEDs are lit permanently.

6.3.3 Fault recorder

When the relay is energized or trips, all fault data and times are stored in a non-volatile memory. The MRI1 is provided with a fault value recorder for max. eight fault occurrences. In the event of additional trippings always the oldest data set is written over.

For fault indication not only the trip values are recorded but also the status of LEDs. Fault values are indicated when push buttons <-> or <+> are pressed during normal measuring value indication.

- Normal measuring values are selected by pressing the <SELECT/RESET> button.
- When then the <-> button is pressed, the latest fault data set is shown. By repeated pressing the <-> button the last but one fault data set is shown etc. For indication of fault data sets abbreviations FLT1, FLT2, FLT3, ... are displayed (FLT1 means the latest fault data set recorded).
- By pressing <SELECT/RESET> the fault measuring values can be scrolled.
- By pressing <+> it can be scrolled back to a more recent fault data set. At first FLT8, FLT7, ... are al-ways displayed.
- When fault recording is indicated (FLT1 etc), the LEDs flash in compliance with the stored trip information, i.e. those LEDs which showed a continuous light when the fault occurred are now blinking to indicate that it is not a current fault. LEDs which were blinking during trip conditions, (element had picked up) just briefly flash.
- If the relay is still in trip condition and not yet reset (TRIP is still displayed), no measuring values can be shown.
- To delete the trip store, the push button combination <SELECT/RESET> and <-> has to be pressed for about 3 s. The display shows 'wait'.

Recorded fault values:

Value displayed	Relevant LED
Phase currents L1, L2, L3 in I/In	L1, L2, L3
C.B. switching time in s 1)	C.B.
Expired tripping time of I> in % of tI> 2)	I>

- 1) C.B. switching time:
Time between energizing of the trip output relay and switching of the C.B.
(current <math><1\% \times I_N</math>).
- 2) Expired tripping time:
Time between pickup and release of the low set element.

6.4 Reset

Unit XRI1-IR has the following three possibilities to reset the display of the unit as well as the output relay at dip switch position 3=ON.

Manual Reset

- Pressing the push button <SELECT/RESET> for some time (about 3 s)

Electrical Reset

- Through applying auxiliary voltage to C2/C2L or C2/C2H

Software Reset

- The software reset has the same effect as the <SELECT/RESET> push button (see also communication protocol of RS485 interface).

The display can only be reset when the pickup is not present anymore (otherwise "TRIP" remains in display). During resetting of the display the parameters are not affected.

7. Relay testing and commissioning

The test instructions following below help to verify the protection relay performance before or during commissioning of the protection system. To avoid a relay damage and to ensure a correct relay operation, be sure that:

- the auxiliary power supply rating corresponds to the auxiliary voltage on site.
- the rated current and rated voltage of the relay correspond to the plant data on site.
- the current transformer circuits and voltage transformer circuits are connected to the relay correctly.
- all signal circuits and output relay circuits are connected correctly.

7.1 Power-On

NOTE!

Prior to switch on the auxiliary power supply, be sure that the auxiliary supply voltage corresponds to the rated data on the type plate.

Switch on the auxiliary power supply to the relay and check that the message "ISEG" appears on the display and the self supervision alarm relay (watchdog) is energized (Contact terminals 71 and 74 closed).

7.2 Testing the output relays and LEDs

NOTE!

Prior to commencing this test, interrupt the trip circuit to the circuit breaker if tripping is not desired. By pressing the push button <TRIP> once, the display shows the first part of the software version of the relay (e.g. „D08-“). By pressing the push button <TRIP> twice, the display shows the second part of the software version of the relay (e.g. „4.01“). The software version should be quoted in all correspondence. Pressing the <TRIP> button once more, the display shows "PSW?". Please enter the correct password to proceed with the test. The message "TRI?" will follow. Confirm this message by pressing the push button <TRIP> again. All output relays should then be activated and the self supervision alarm relay (watchdog) be deactivated one after another with a time interval of 3 seconds and all LEDs with a delay of 0.5 seconds, with the self-supervision relay dropping. Thereafter, reset all output relays back to their normal positions by pressing the push button <SELECT/RESET> (about 3 s).

7.3 Checking the set values

By repeatedly pressing the push button <SELECT>, all relay set values may be checked. Set value modification can be done with the push buttons <+><-> and <ENTER>. For detailed information about that, please refer to chapter 6.

For a correct relay operation, be sure that the frequency set value ($f=50/60$) has been selected according to your system frequency (50 or 60 Hz).

7.4 Secondary injection test

7.4.1 Test equipment

- Voltmeter, Ammeter with class 1 or better
- Auxiliary power supply with the voltage corresponding to the rated data on the type plate
- Single-phase current supply unit (adjustable from 0 to $\square 4 \times I_n$)
- Single-phase voltage supply unit (adjustable from 0 to $\square 1.2 \times U_n$)
- Timer to measure the operating time (Accuracy class $\square \square 10$ ms)
- Switching device
- Test leads and tools

7.4.2 Test circuit of XRI1-IR

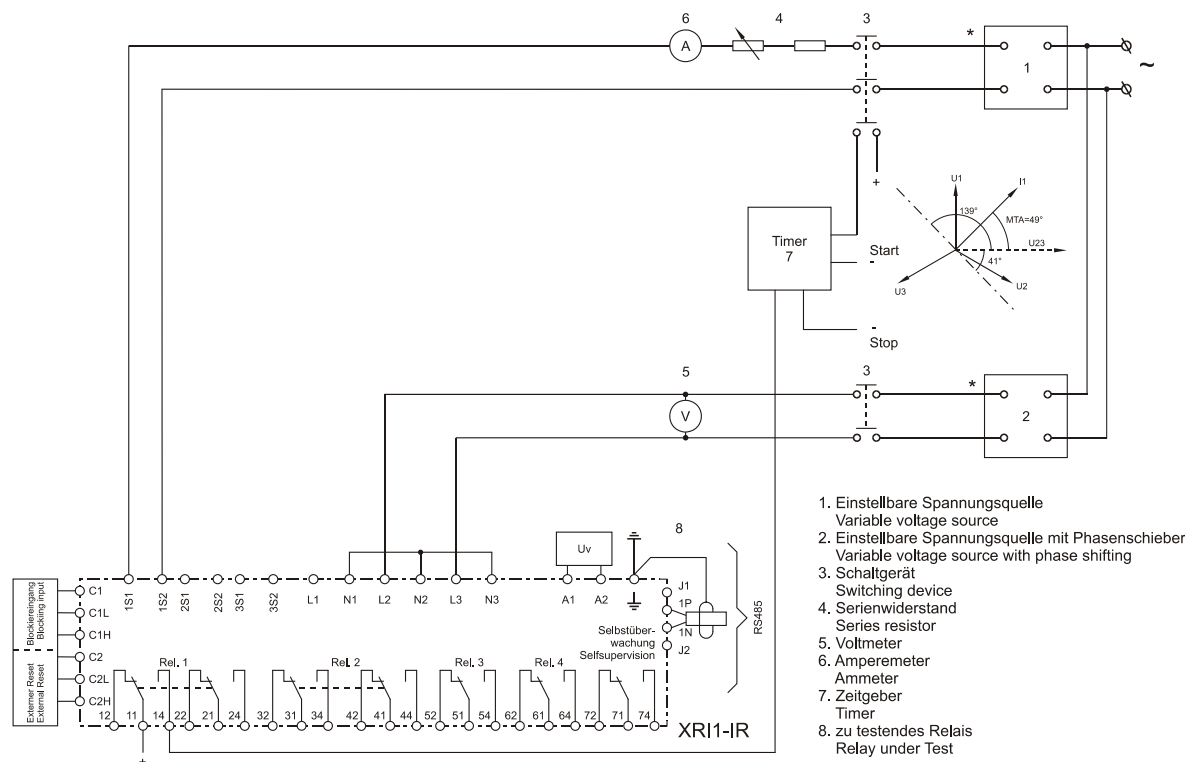


Figure 7.1: Test circuit

For testing relays with directional feature, current and voltage input signals with adjustable phase shifting are required. Figure 7.1 shows an example of a single phase test circuit with adjustable voltage and current energizing the XRI1-IR relay under test.

For testing a relay with directional feature, one of the input energizing quantity (voltage) shall be applied to the relay with a constant value within its effective range. The other input energizing quantity (current) and phase angle shall be appropriately varied.

XRI1-IR is a three phase directional time overcurrent relay with relay connection angle of 90° . That is why the phase angle between input current and input voltage has to be set to -90° before the measuring procedure is started. The relay input currents and their corresponding reference voltages are shown in table 7.1 (refer to Fig. 4.2):

If the single phase test circuit as illustrated in Figure 7.1 is applied to test the directional feature of the relay and the current source is connected to phase 1 current input (1S1/1S2), then the voltage source should be connected to relay terminals L2/L3.

In order to test the directional feature, parameters have to be set in compliance with table 7.2. Then a test voltage equivalent to the rated voltage is connected to terminals L2/L3 and a current of $1 \times I_n$ is impressed upon the current inputs 1S1/1S3.

It is now possible to read and check all measured values in accordance with Table 7.1. If the phase position is changed, the values I_Q and I_P change. If the angle is changed by 90° , for example, the measured value for current input I1 must be ± 0 for I_P and $+1.0$ for I_Q .

Determining the change in direction

The angle of greatest sensitivity for determining the phase direction is adjustable between 15° and 83° . Consequently, the greatest sensitivity is achieved with setting 49° if the input current leads the input voltage by 49° . This setting results in a tripping range in forward direction of 139° leading to 41° lagging if the marginal regions are neglected on account of lack in measuring precision.

Current input	Terminals	Reference voltage	Terminals	Display		
				Phase	I_P	I_Q
	S1/S2		L/N			
I1	1S1/1S2	U23	L2/L3	$1.00 \pm 3\%$	$+1.0 \pm 3\% I_n$	$\pm 0.0 \pm 3\% I_n$
I2	2S1/2S2	U31	L3/L1	$1.00 \pm 3\%$	$+1.0 \pm 3\% I_n$	$\pm 0.0 \pm 3\% I_n$
I3	3S1/3S2	U12	L1/L2	$1.00 \pm 3\%$	$+1.0 \pm 3\% I_n$	$\pm 0.0 \pm 3\% I_n$

Terminals N1, N2 and N3 are bridged.

Table 7.1: Connection of test currents and voltages and corresponding display values

For relay assignment:

Parameter	Relays
I> Alarm (V)	<u> 2 </u>
I> Alarm (R)	<u> 3 </u>

Parameter	Setting
I>	$0.5 \times I_n$
tI> (V)	EXIT
tI> (R)	EXIT

Table 7.2: Necessary parameter setting and relay assignment

A test current of $1 \times I_n$ is impressed upon the current input. The voltage source is to be connected as provided for in Table 7.1. With an angle setting of 49° leading, relay 2 must respond and LED $\rightarrow\leftarrow$ lights up green. If the angle is now changed beyond the marginal regions, the LED $\rightarrow\leftarrow$ changes from green to red. Relay 2 drops and relay 3 responds. This test must be repeated for current inputs 12 and 13.

To check the trip delays for forward and backward direction they have to be set differently, because there's only one trip relay for both directions.

Great care must be taken to connect the test current and test voltage to the relay in correct phase angle and polarity. In Figure 7.1 the relay and test source polarity are indicated by a * mark near the terminals. The markings indicate that the relay will trip in its maximum sensitive angle when the voltage drop from the marked end to the non-marked end in the voltage input circuit has 49° phase angle lagging the current flowing from the marked end to the non-marked in the current input circuit. Of course, regardless of polarity, the current level must be above the pickup value.

7.4.3 Checking the input circuits and measured values

Inject a current in phase 1 (terminals 1S1/1S2), which is less than the relay pickup current set values, and check the measured current on the display by pressing the push button <SELECT>. For a relay with rated current $I_N = 5$ A, for example, a secondary current injection of 1 A should be indicated on the display with about 0.2 ($0.2 \times I_N$). The current can be also injected into the other current input circuits (Phase 2: terminals 2S1/2S2, Phase 3: terminals 3S1/3S2). Compare the displayed current value with the reading of the ammeter. The deviation must not exceed 3% or 1% I_N . By using an RMS-metering instrument, a greater deviation may be observed if the test current contains harmonics. Because the XRI1-IR relay measures only the fundamental component of the input signals, the harmonics will be rejected by the internal DFFT-digital filter. Whereas the RMS-metering instrument measures the RMS-value of the input signals.

7.4.4 Checking the operating and resetting values of the relay

Inject a current which is less than the relay set values in phase 1 of the relay and gradually increase the current until the relay starts, i.e. at the moment when the LED I> and L1 light up or the alarm output relay I> is activated. Read the operating current indicated by the ammeter. The deviation must not exceed 3% of the set operating value or 1% I_N .

Furthermore, gradually decrease the current until the re-lay resets, i.e. the alarm output relay I> is de-energized. Check that the resetting current is smaller than 0.97 times the operating current. This procedure has also to be used for the other phases.

7.4.5 Checking the relay operating time

To check the relay operating time, a timer must be connected to the trip output relay contact. The timer should be started simultaneously with the current injection in the current input circuit and stopped by the trip relay contact. Set the current to a value corresponding to twice the operating value and inject the current instantaneously. The operating time measured by the timer should have a deviation of less than 3% of the set value or $\square 10$ ms (DEFT). Accuracy for inverse time characteristics refer to IEC 255-3.

Repeat the test on the other phases or with the inverse time characteristics in the similar manner. In case of inverse time characteristics the injected current should be selected according to the characteristic curve, e.g. two times I_S . The tripping time may be read from the characteristic curve diagram or calculated with the equations given under "technical data".

Please observe that during the secondary injection test the test current must be very stable, not deviating more than 1%. Otherwise the test results may be wrong.

7.4.6 Checking the high set element of the relay

Set a current above the set operating value of I>>. Inject the current instantaneously and check that the alarm output relay I>> operates. Check the tripping time of the high set element according chapter 7.4.5.

Check the accuracy of the operating current setting by gradually increasing the injected current until the I>> element picks up. Read the current value from the am-meter and compare with the desired setting.

Repeat the entire test on other phases and earth current input circuits in the same manner.

Note !

Where test currents $> 4 \times I_N$ are used, the thermal with-stand capability of the current paths has to be considered (see technical data, chapter 8.1).

7.4.7 Checking the external blocking and reset functions

The external blocking input inhibits e. g. the function of the high set element of the phase current. To test the blocking function apply auxiliary supply voltage to the external blocking input of the relay (terminals C1/C1L or C1/C1H). The time delay $t_{I>}$ should be set to EXIT for this test. Inject a test current which could cause a high set ($I>>$) tripping. Observe that there is no trip and alarm for the high set element.

Remove the auxiliary supply voltage from the blocking input. Inject a test current to trip the relay (message „TRIP“ on the display). Interrupt the test current and apply auxiliary supply voltage to the external reset input of the relay (terminals C2/C2L or C2/C2H). The display and LED indications should be reset immediately.

7.4.8 Test of the CB failure protection

For testing the tripping time a test current of about 2 times the rated current has to be injected. The timer is started upon tripping of the relay of a protection function ($I>$, $I>>$) and stopped as soon as the relay for the CB failure protection has picked up. Message "CBFP" is displayed. The tripping time ascertained by the timer should not deviate more than 1% or, at short trip delay, less than 10 ms from the set tripping time.

Alternatively, the timer can be started when the aux. voltage and the test current are injected simultaneously. The timer stops when the corresponding output relay for circuit breaker failure protection trips.

In this case the previously measured tripping delay (see section 6.4.5) has to be subtracted from the total tripping time measured.

7.5 Primary injection test

Generally, a primary injection test could be carried out in the similar manner as the secondary injection test described above. With the difference that the protected power system should be, in this case, connected to the installed relays under test „on line“, and the test currents and voltages should be injected to the relay through the current and voltage transformers with the primary side energized. Since the cost and potential hazards are very high for such a test, primary injection tests are usually limited to very important protective relays in the power system.

Because of its powerful combined indicating and measuring functions, the XRI1-IR relay may be tested in the manner of a primary injection test without extra expenditure and time consumption. In actual service, for example, the measured current values on the XRI1-IR relay display may be compared phase by phase with the current indications of the ammeter of the switchboard to verify that the relay works and measures correctly. In case of a XRI1-IR re-lay with directional feature, the active and reactive parts of the measured currents may be checked and the actual power factor may be calculated and compared it with the $\cos\phi$ -meter indication on the switchboard to verify that the relay is connected to the power system with the correct polarity.

7.6 Maintenance

Maintenance testing is generally done on site at regular intervals. These intervals vary among users depending on many factors: e.g. the type of protective relays employed; the importance of the primary equipment being protected; the user's past experience with the re-lay, etc.

For electromechanical or static relays, maintenance testing will be performed at least once a year according to the experiences. For digital relays like XRI1-IR, this interval can be substantially longer. This is because:

- the XRI1-IR relays are equipped with very wide self-supervision functions, so that many faults in the relay can be detected and signalized during service. Important: The self-supervision output relay must be connected to a central alarm panel!
- the combined measuring functions of XRI1-IR relays enable supervision of the relay functions during service.
- the combined TRIP test function of the XRI1-IR relay allows to test the relay output circuits.

A testing interval of two years for maintenance will, therefore, be recommended.

During a maintenance test, the relay functions including the operating values and relay tripping characteristics as well as the operating times should be tested.

8. Technical data

8.1 Measuring input circuits

Rated data:	Nominal current I_N	1A or 5A
	Nominal voltage U_N	100 V, 230 V, 400 V
	Nominal frequency f_N	50 Hz; 60 Hz adjustable
Power consumption in current circuit:	at $I_N = 1$ A	0.2 VA
	at $I_N = 5$ A	0.1 VA
Power consumption in voltage circuit:		< 1 VA
Thermal withstand capability in current circuit:	dynamic current withstand (half-wave)	$250 \times I_N$
	for 1 s	$100 \times I_N$
	for 10 s	$30 \times I_N$
	continuously	$4 \times I_N$
Thermal withstand in voltage circuit:	continuously	$1.5 \times U_N$
GL-Approbation:		98776-96HH
Bureau Veritas Approbation:		2650 6807 A00 H

8.2 Common data

Dropout to pickup ratio:	>97%
Returning time:	30 ms
Time lag error class index E:	± 10 ms
Minimum operating time:	30 ms
Transient overreach at instantaneous operation:	$\leq 5\%$
Influences on the current measurement	
Auxiliary voltage:	in the range of $0.8 < U_H/U_{HN} < 1.2$ no additional influences can be measured
Frequency:	in the range of $0.9 < f/f_N < 1.1$; $< 0.2\%/Hz$
Harmonics:	up to 20% of the third harmonic; $< 0.08\%$ per percent of the third harmonic up to 20% of the fifth harmonic; $< 0.07\%$ per percent of the fifth harmonic
Influences on delay times:	no additional influences can be measured
GL-approbation:	98 775 - 96 HH
Bureau Veritas Approbation:	2650 6807 A00 H

8.3 Setting ranges and steps

8.3.1 Time overcurrent protection

	Setting range	Step	Tolerance
I>	0.2...4.0 x I _N (EXIT)	0.01; 0.02; 0.05; 0.1 x I _N	±3% from set value or min. ±2% I _N
tI>	0.03 - 260 s (EXIT) (definite time) 0.05 - 10 (EXIT) (inverse time)	0.01; 0.02; 0.05; 0.1; 0.2; 0.5; 1.0; 2.0; 5.0; 10; 20 s 0.01; 0.02; 0.05; 0.1; 0.2	±3% or ±10 ms ±5% for NINV and VINV ±7.5% for NINV and EINV
I>>	1...40 x I _N (EXIT)	0.1; 0.2; 0.5; 1.0 x I _N	±3% from set value or min. ±2% I _N
t _{I>>}	0.03...2 s (EXIT)	0.01 s; 0.02 s; 0.05 s	±3% or ±10 ms

8.3.2 Switch failure protection

t _{CBFP}	t _{CBFP}	0.1...2.0 s; EXIT	0.01; 0.02; 0.05; 0.1 s	±1% resp. ±10 ms
-------------------	-------------------	-------------------	-------------------------	------------------

8.3.3 Interface parameter

Function	Parameter	RS485 Open Data Protocol
RS	Slave-Address	1 - 32

8.3.4 Inverse time overcurrent protection relay

According to IEC 255-4 or BS 142

Normal Inverse (type A)

$$t = \frac{0.14}{\left(\frac{I}{I_s}\right)^{0.02} - 1} \cdot t_I > [s]$$

Very Inverse (type B)

$$t = \frac{13.5}{\left(\frac{I}{I_s}\right) - 1} \cdot t_I > [s]$$

Extremely Inverse (type C)

$$t = \frac{80}{\left(\frac{I}{I_s}\right)^2 - 1} \cdot t_I > [s]$$

Where:

- t = tripping time
- tI> = time multiplier
- I = fault current
- I_s = Starting current

8.3.5 Direction unit for phase overcurrent relay

Directional sensitivity for voltage input circuit:	$<0.025\% U_N$ (phase-to-phase voltage) at $I = 1 \times I_N$
Connection angle:	90°
Characteristic angle:	$15^\circ, 27^\circ, 38^\circ, 49^\circ, 61^\circ, 72^\circ, 83^\circ$
Effective angle:	$\pm 78^\circ$ related to relay characteristic angle at U_N

8.4 Inverse time characteristics

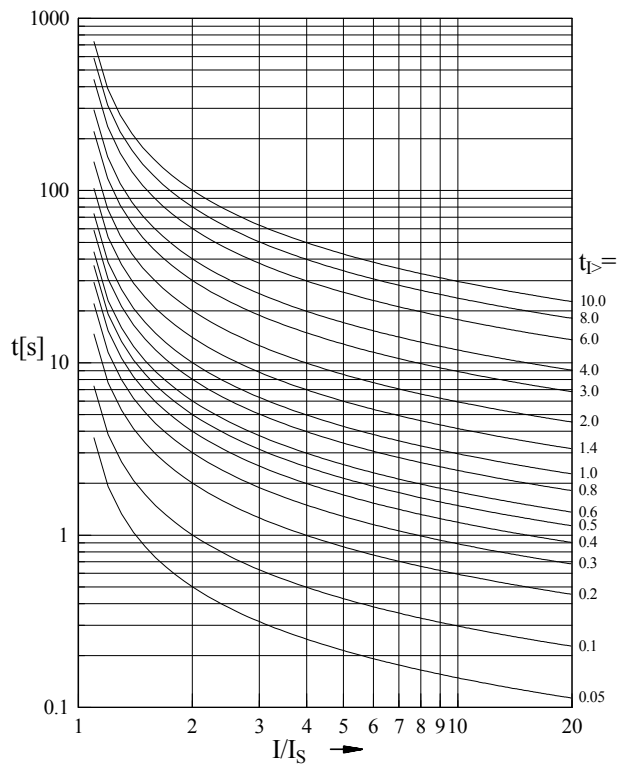


Figure 8.1 Normal Inverse (type A)

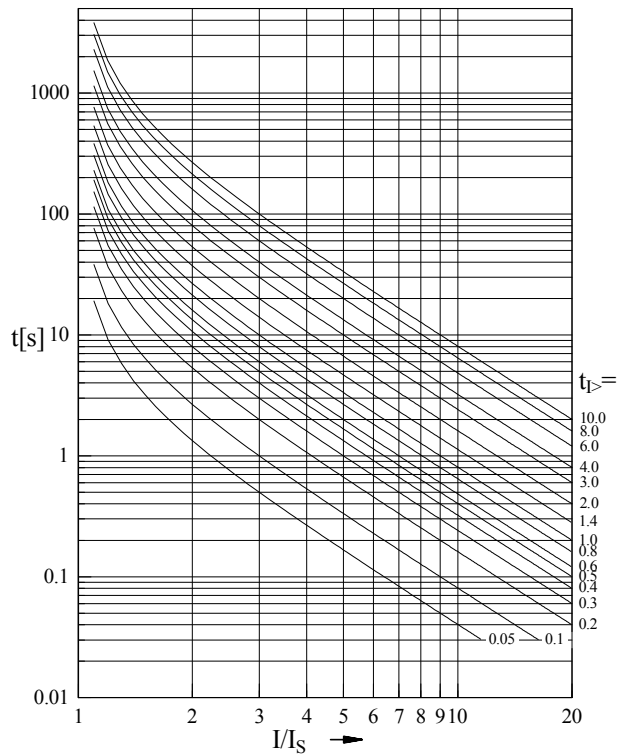


Figure 8.2: Extremely Inverse (type C)

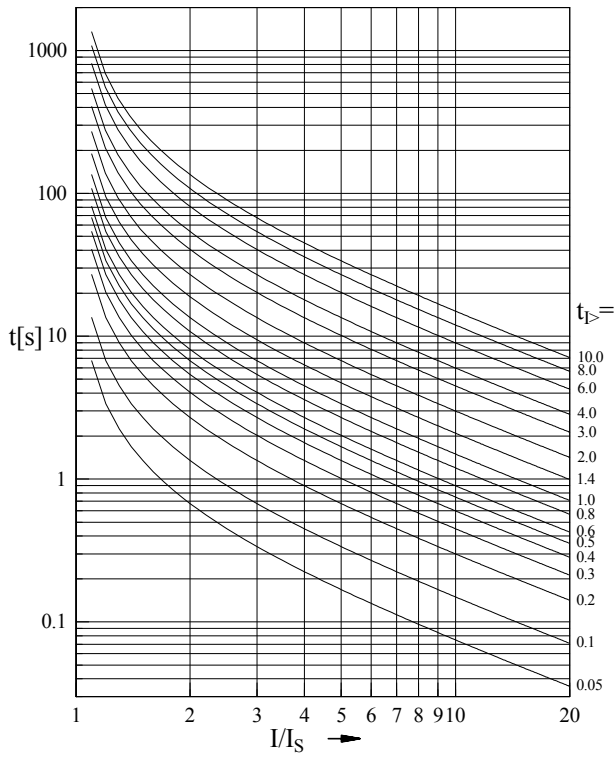


Figure 8.3: Very Inverse (type B)

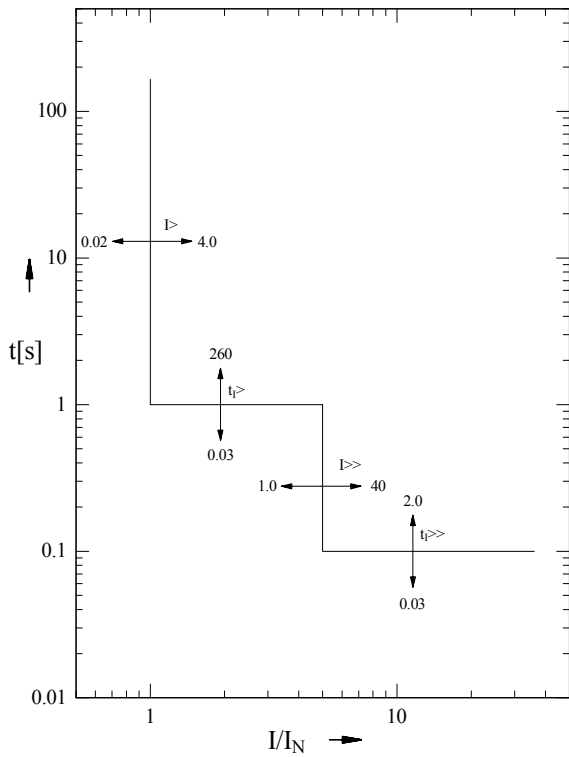


Figure 8.4: Definite time overcurrent relay

8.5 Output relays

Contacts: 2 relays with 2 changeover contacts;
3 relays with 1 changeover contact

The output relays have with the following characteristics:

maximum breaking capacity 250 V AC / 1500 VA / continuous current 6 A

for DC voltage:

	ohmic	L/R = 40 ms	L/R = 70 ms
300 V DC	0.3 A/90 W	0.2 A/63 W	0.18 A/54 W
250 V DC	0.4 A/100 W	0.3 A/70 W	0.15 A/40 W
110 V DC	0.5 A/55 W	0.4 A/40 W	0.2 A/22 W
60 V DC	0.7 A/42 W	0.5 A/30 W	0.3 A/17 W
24 V DC	6 A/144 W	4.2 A/100 W	2.5 A/60 W

Max. rated making current: 64 A (VDE 0435/0972 and IEC 65/VDE 0860/8.86)
 Making current: max. 20 A (16 ms)
 mechanical life span: 30×10^6 operating cycles
 electrical life span: 2×10^5 operating cycles at 220 V AC / 6 A
 Contact material: silver cadmium oxide (AgCdO)

8.6 Power supply

Auxiliary voltage 16 - 360 V DC / 16 - 270 V AC
 Power consumption: standby 3 W operating 5 W
 The connection terminals are C9, E9.

Max. allowed interruption of the auxiliary supply without effecting the function of the device: 50 ms

Propper connection of the terminal \perp is essential for the EMC withstand of the relay. Use wires of min. 1.5 mm^2 .

8.7 Inputs, Blockage and Reset

Low-range:

For rated voltages 24 V, 48 V, 60 V $U_{ON} \leq 10 \text{ V}$ $U_{OFF} \geq 8 \text{ V}$
 Current consumption 1 mA DC at 24 V

High-range:

For rated voltages 100 V, 110 V, 125 V, 220 V, 230 V
 $U_{ON} \leq 70 \text{ V}$ $U_{OFF} \geq 60 \text{ V}$
 Current consumption 1.5 mA DC at 360 V DC or 11.0 mA AC at 230 V DC

Technical data subject to change without notice!

8.8 System data and test specifications

Design standards:	
Generic standard:	EN 50082-2, EN 50081-1
Product standard:	EN 60255-6, IEC 255-4, BS142
Specified ambient service recommended temperature for operation:	-10°C to +55°C
temperature limits:	in operation -25°C to +70°C in storage -25°C to +70°C
Moisture-carrying capacity class F as per DIN 40040 and per DIN IEC 68, part 2-3:	rel. humidity <95% at 40°C for 56 days
Insulation test voltage, inputs and outputs between themselves and to the relay frame as per EN 60255-6, IEC 255-5:	2.5 kV (eff.)/50 Hz.; 1 min.
Impulse test voltage, inputs and outputs between themselves and to the relay frame as per EN 60255-6, IEC 255-5:	5 kV; 1.2/50 µs, 0.5 J
High frequency interference test voltage, inputs and outputs between themselves and to the relay frame as per EN 60255-6, IEC 255-6:	2.5 kV/1 MHz
Electrical discharge (ESD) test as per EN 61000-4-2, IEC 255-22-1:	8 kV air discharge, 6 kV contact discharge
Electrical fast transient (Burst) test as per EN 61000-4-8, IEC 255-22-1:	4 kV/2.5 kHz, 15 ms
Power frequency magnetic field immunity test:	100 A/m continuously 1000 A/m for 3 s
Radiated electromagnetic field disturbance test as per ENV 50140, IEC 255-22-3:	electric field strength: 10 V/m
Guided radiated electromagnetic field disturbance test as per ENV 50141:	electric field strength: 10 V/m
Surge immunity test as per EN 61000-4-5:EN 61000-4-5:	4 kV
Radio interference suppression test as per EN 55011:	limit value class B
Radio interference radiation test as per EN 55011:	limit value class B

Mechanical test:

Shock:	Class 1 as per DIN IEC 255 T 21-2
Vibration:	Class 1 as per DIN IEC 255 T 21-1
Degree of protection:	IP40
Overvoltage class:	III
Weight:	1.6 kg
Relay case material:	self-extinguishing
Technical data subject to change without notice!	

8.9 Relay case

Relay XRI1-IR is designed to be fastened onto a DIN-rail acc. to DIN EN 50022, the same as all units of the PROFESSIONAL LINE.

The front plate of the relay is protected with a sealable transparent cover (IP40).

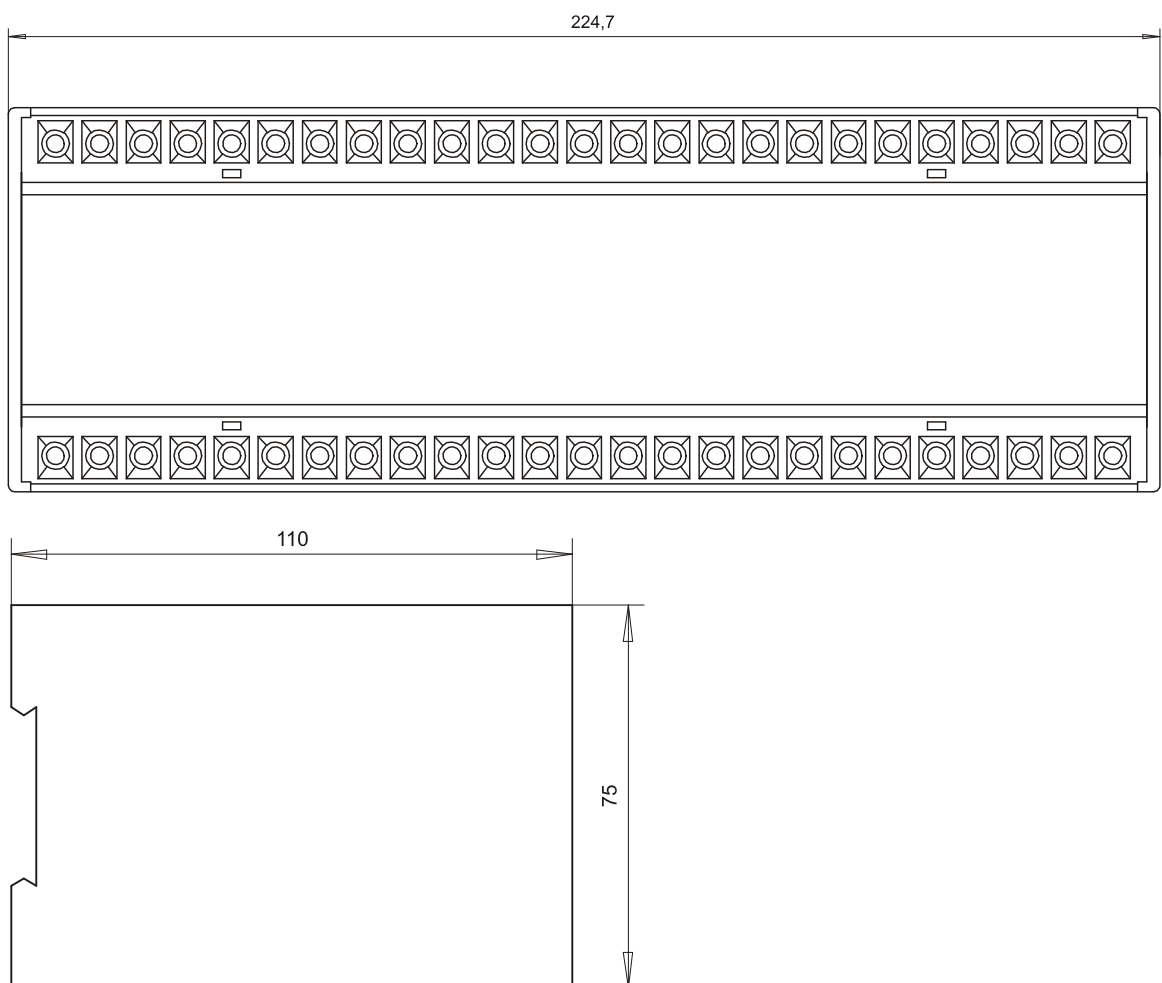


Figure 8.5: Dimensional drawing; dimensions in mm

Connection terminals

The connection of up to a maximum $2 \times 2.5 \text{ mm}^2$ cross-section conductors is possible. For this the transparent cover of the unit has to be removed (see chapter 5).

9. Order form

Directional overcurrent relay (with display and serial interface)		<i>XRI1</i>		
Directional feature				
Rated current	1 A 5 A	I1 I5		
Rated voltage	100 V 400 V		R1 R4	
Communication protocol RS485 ProOpenData Modbus RTU				* M

Setting list XRI1-IR**Note !**

All settings must be checked at site and should the occasion arise, adjusted to the object/item to be protected.

Project: _____ SEG job.-no.: _____

Function group: = _____ Location: + _____ Relay code: - _____

Relay functions: _____ Password: _____

Date: _____

Setting of parameters

Relay type XRI1-IR	Default settings	Actual settings
I>	0.2 x I _N	
CHAR I>	DEFT	
t _{I>V} / t _{I>R}	0.03 s	
0s /60s (Phase)	0 s	
I>>	1.0 x I _N	
t _{I>>V} / t _{I>>R}	0.03 s	
RCA	49 °	
t _{CBFP}	0.2 s	
50/60 Hz	50 Hz	
Pickup indication	FLSH	
RS485 / Slave	1	

All settings must be checked at site and should the occasion arise, adjusted to the object/item to be protected.



AvK Generátory s.r.o.
ul. 4. května 175
755 01 Vsetín (Czech Republic)
Tel.: +420 571 413 322

<http://www.woodward-seg.cz>
info@woodward-seg.cz